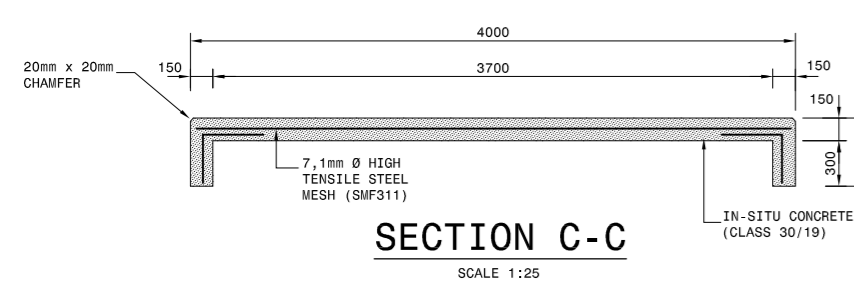
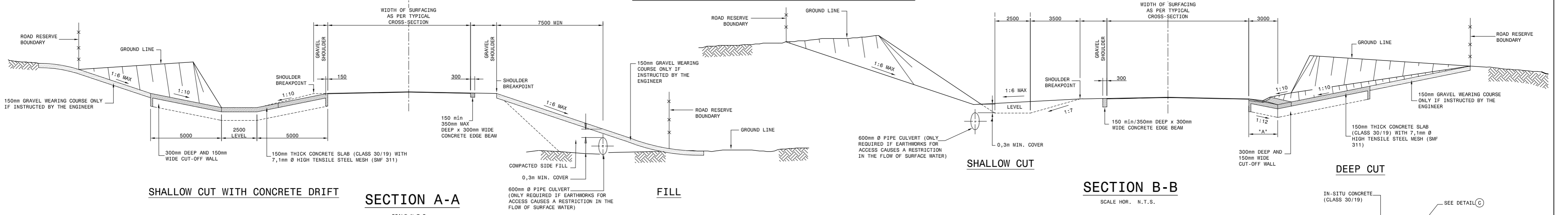
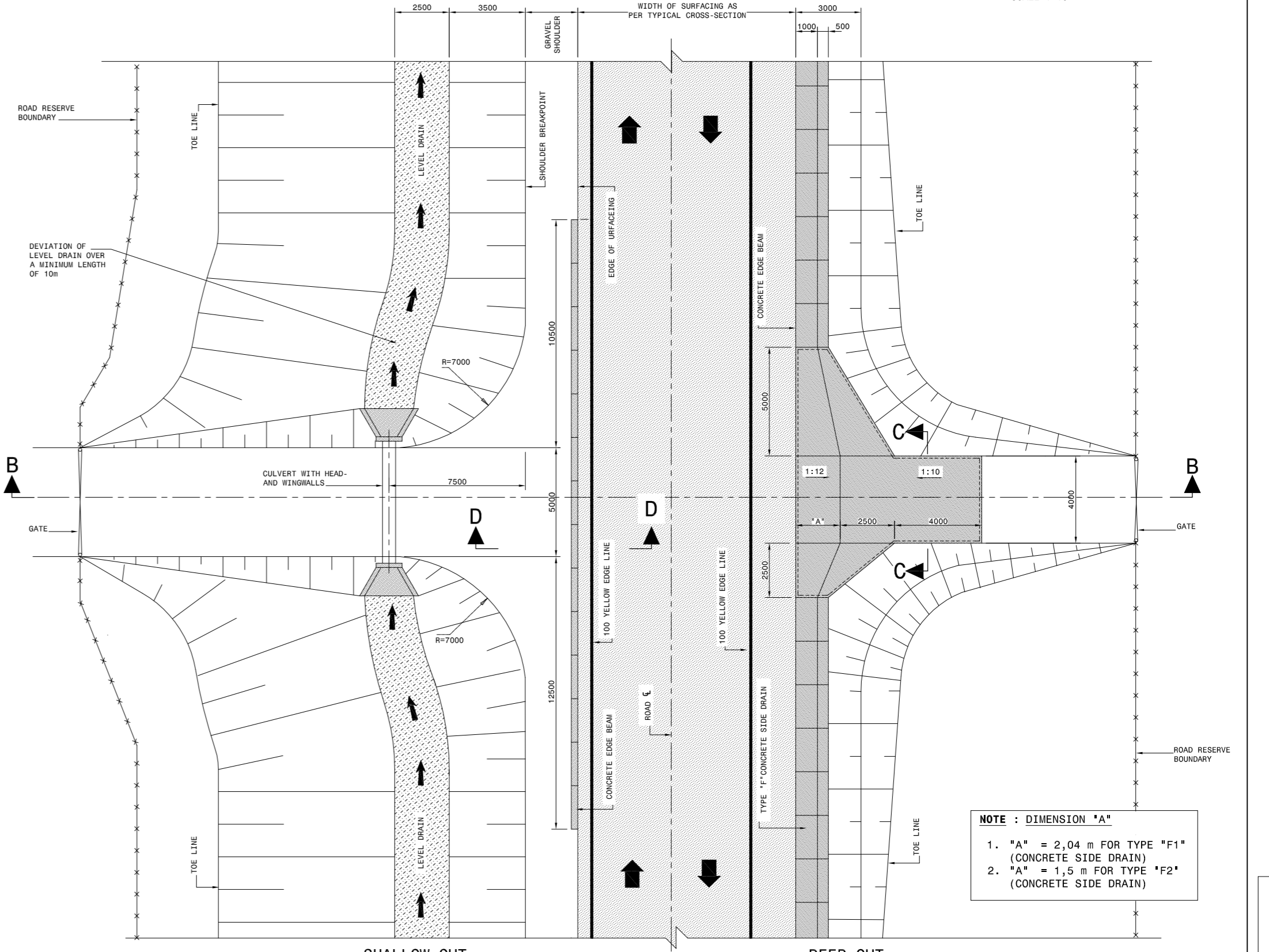
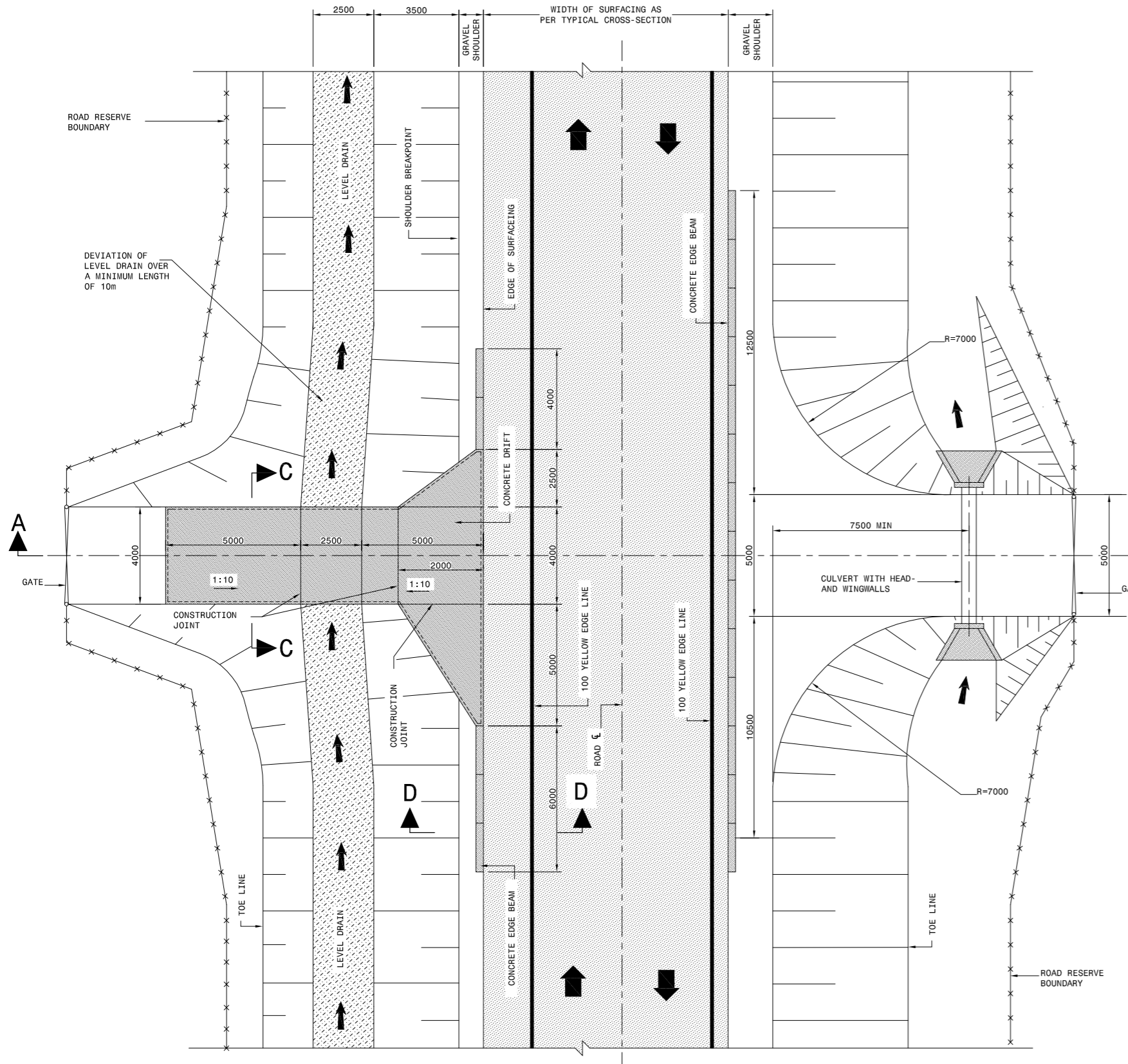
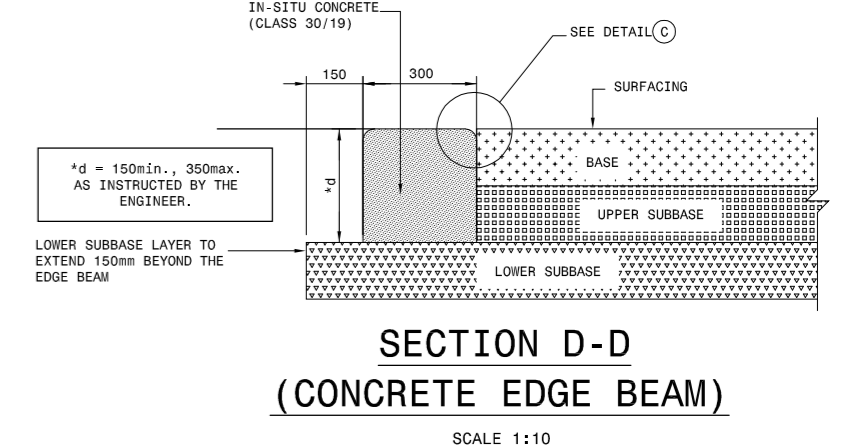
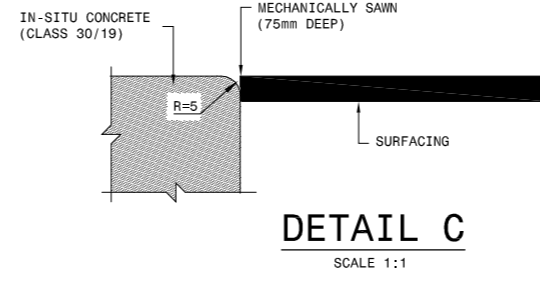


# DETAIL OF FARM ACCESSES



- NOTES:**
1. CONCRETE EDGE BEAMS ARE TO BE CAST ALTERNATIVELY IN 2,0m MAX. LENGTHS WITH AN EXPANSION JOINT EVERY 10,0m.
  2. REFER TO DRAWING No. SNA 221/G1 FOR DETAIL OF EXPANSION JOINT.
  3. THIS DRAWING IS ONLY APPLICABLE TO THE SINGLE CARRIAGEWAY SECTION OF ROUTE R71.



- NOTE : DIMENSION "A"**
1. "A" = 2,04 m FOR TYPE "F1" (CONCRETE SIDE DRAIN)
  2. "A" = 1,5 m FOR TYPE "F2" (CONCRETE SIDE DRAIN)

**PLAN OF FARM ACCESSES**  
SCALE N.T.S.

**PLAN OF FARM ACCESSES**  
SCALE N.T.S.

<b>CONSTRUCTION RECORD (AS-BUILT)</b> WORKS CONTRACT ENGINEERS Name: _____ Date: _____ <b>SANRAL PROJECT MANAGER</b> Name: _____ Date: _____		<b>TRANS AFRICAN CONCESSIONS (PTY) LTD</b> BLOCK 4 THORNHILL OFFICE PARK 94 BEKKER ROAD MIDRAND PO Box 10817 VORNA VALLEY 1688 Tel: 011-855 8788 Fax: 011-855 8789 gph@tyson@trac.co.za www.trac.co.za		<b>DESIGNED BY</b> NAME: G. LOUBSER Prof. Reg. No.: 880359 CHECKED BY: _____ NAME: J.B.W. STOLTZ Prof. Reg. No.: 980512 DRAWN BY: L.V.D. MERWE		<b>CONSULTANT APPROVAL</b> Name: J.W.B. STOLTZ Prof. Reg. No.: 980512 Date: APRIL 2016		<b>HEAD OFFICE</b> 48 Tambotie Avenue Val de Grace Pretoria 0184 PO Box 415 Pretoria 0001 South Africa Tel: (012) 844 8000		<b>SANRAL</b> BUILDING SOUTH AFRICA THROUGH BETTER ROADS		<b>NORTHERN REGION</b> 38 Ida Street Menlo Park Pretoria 0081 Private Bag X17 Lynnwood Ridge 0040 Tel: (012) 426 6200		<b>ACCEPTANCE</b> THIS ACCEPTANCE IS FOR PROCEDURAL AND ADMINISTRATIVE REVIEW PURPOSES ONLY AND DOES NOT ATTRACT LEGAL LIABILITY OR LIABILITY OF ANY KIND FROM WHATSOEVER CAUSE OR HOWEVER ARISING for the SA NATIONAL ROADS AGENCY SOC LTD. Date: _____		<b>PROJECT DESCRIPTION</b> MAPUTO DEVELOPMENT CORRIDOR (MDC) PRETORIA TO LEBOMBO BORDER POST ROUTINE ROAD MAINTENANCE <b>DRAWING DESCRIPTION</b> DETAIL OF FARM ACCESSES		<b>PROJECT NUMBER</b> TRAC/MAINT-2019-01 <b>DRAWING LOCATION DATA</b> ROUTE: _____ SECTION: PRETORIA - LEBOMBO BORDER <b>DRAWING TYPE</b> ROADS - TYPICAL DETAILS <b>BRIDGE/STRUCTURE No.</b> _____ <b>CONSULTANT DRAWING No.</b> SNA-TP1915-B2 <b>SANRAL DOCUMENT #</b> _____		<b>SCALE : AS SHOWN (A0)</b> <b>SHEET 1 OF 1</b> <b>VER V1</b>	
--	--	---	--	--	--	---	--	---	--	---	--	---	--	---	--	---	--	--	--	--	--