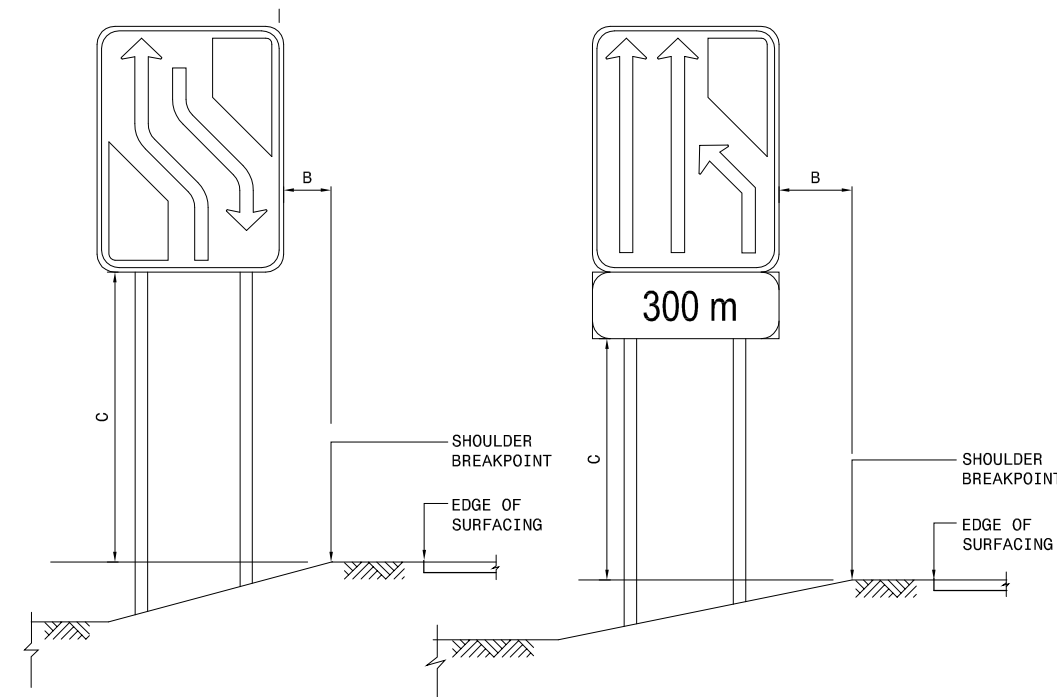
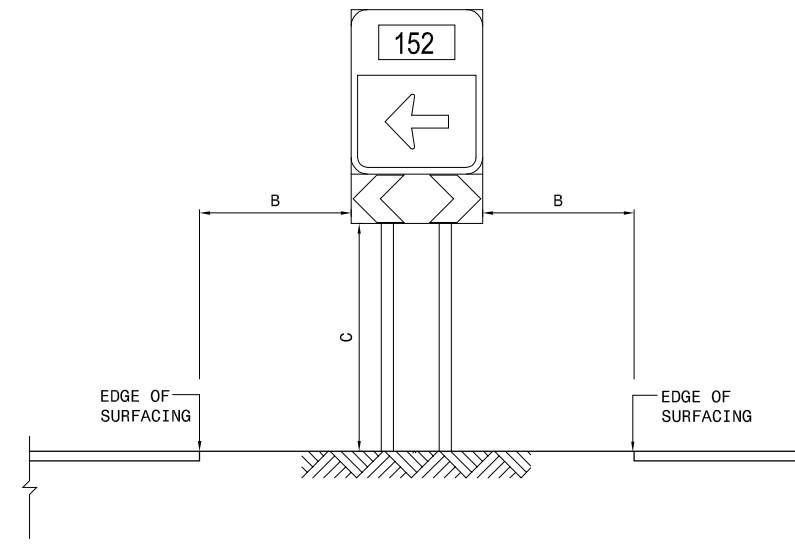


ROAD SIGNS: PLACING OF ROAD SIGNS - TYPICAL DETAILS

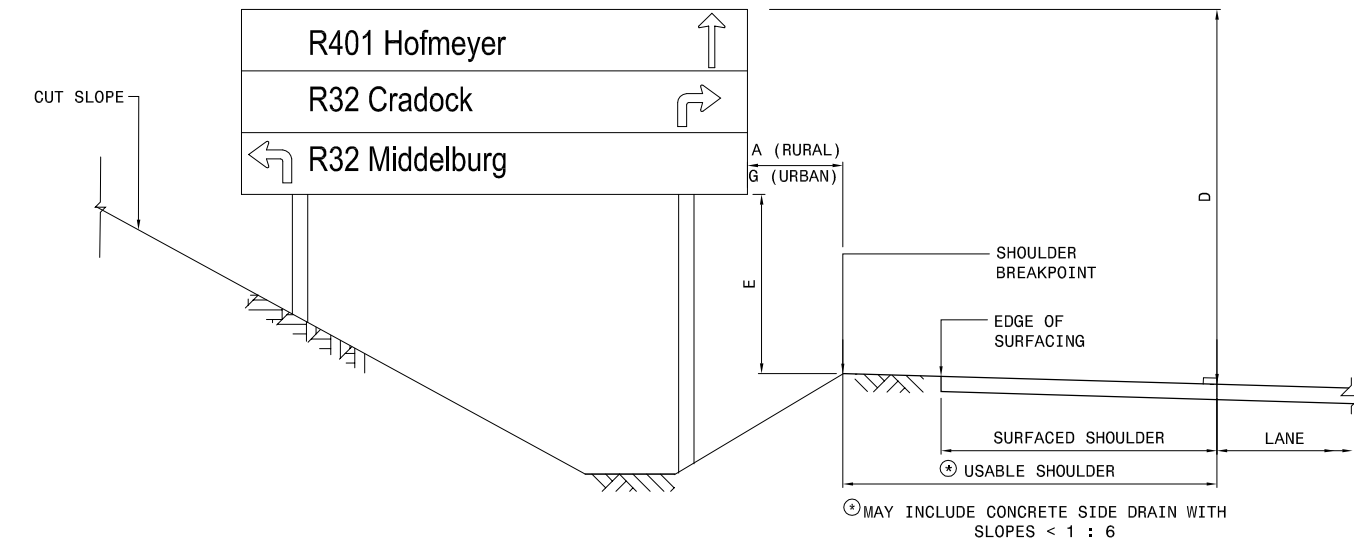
(Sheet 1 of 2 Sheets)



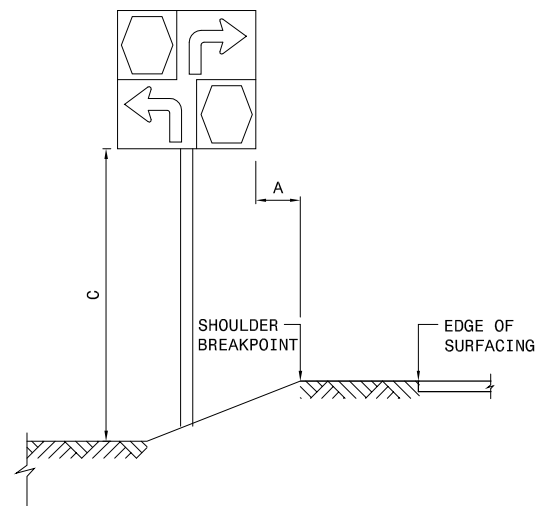
GUIDANCE SIGNS



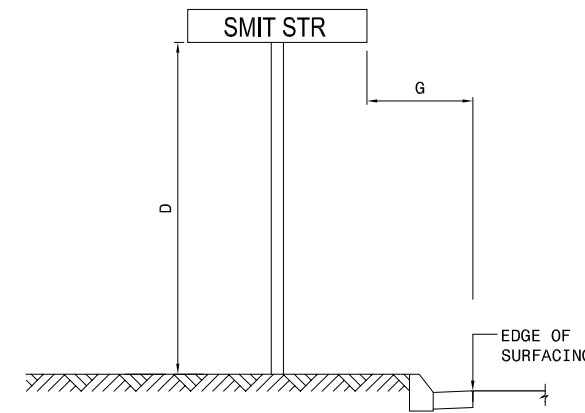
GORE SIGN



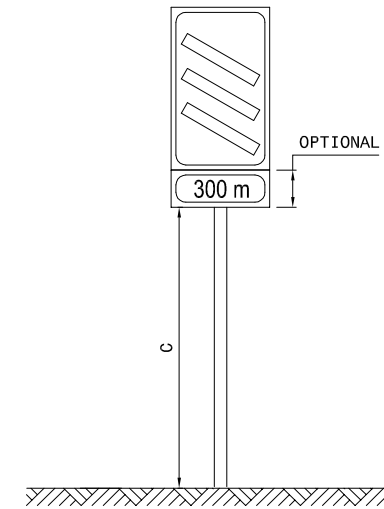
CUT CONDITION



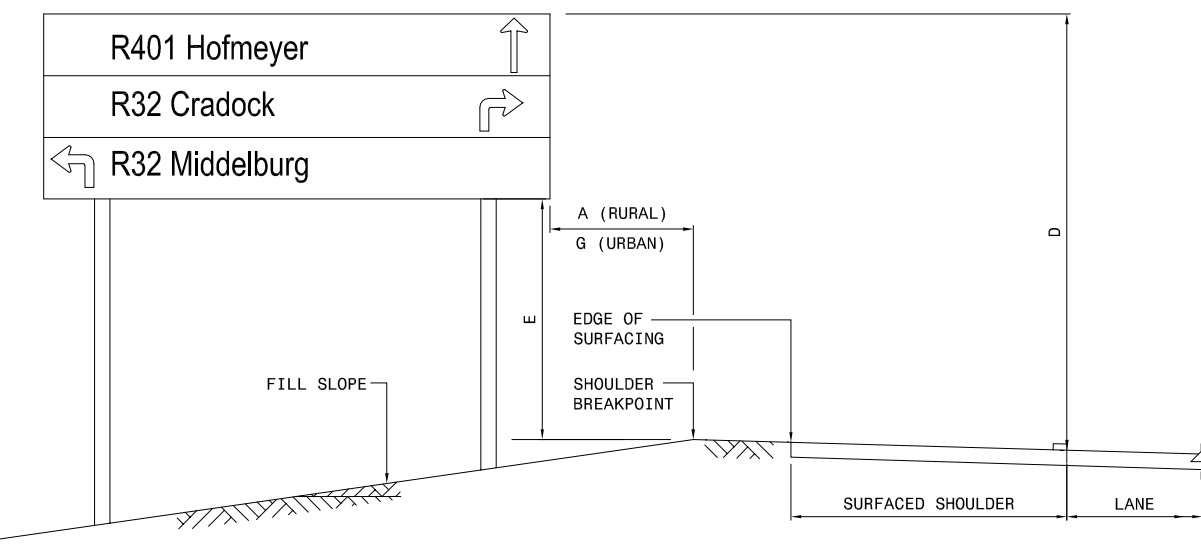
ROUTE MARKER SIGN



LOCATION SIGN



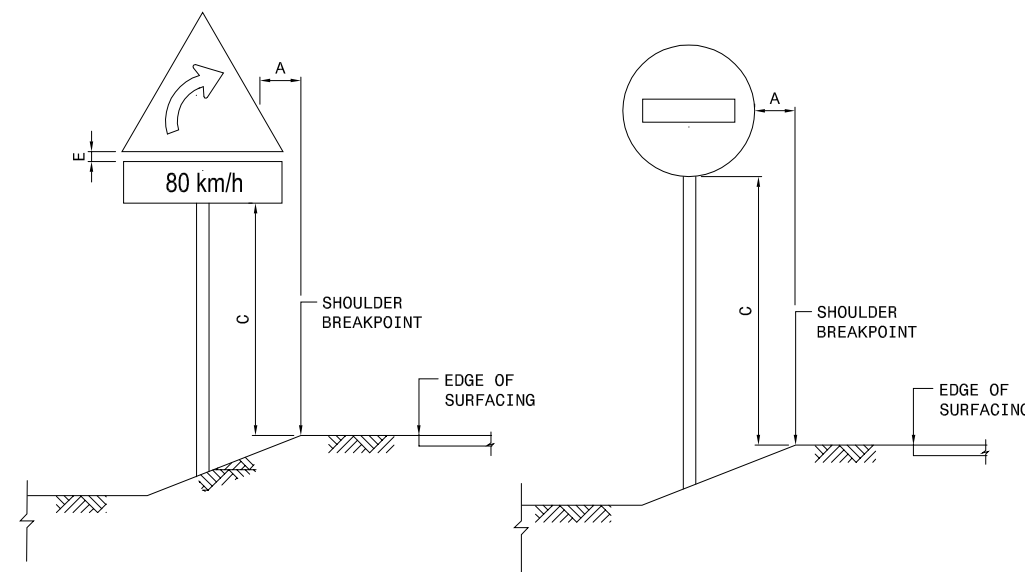
COUNTDOWN SIGN



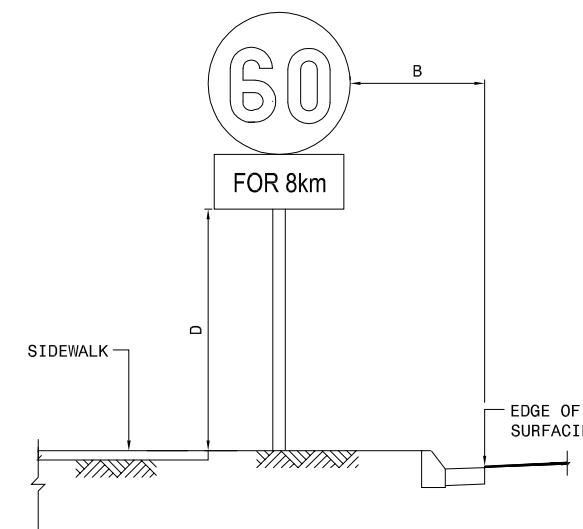
FILL CONDITION

SMALL TO MEDIUM SIZED GUIDANCE AND INFORMATION SIGNS

GROUND MOUNTED DIRECTION SIGNS - CLASS A AND CLASS B ROADS



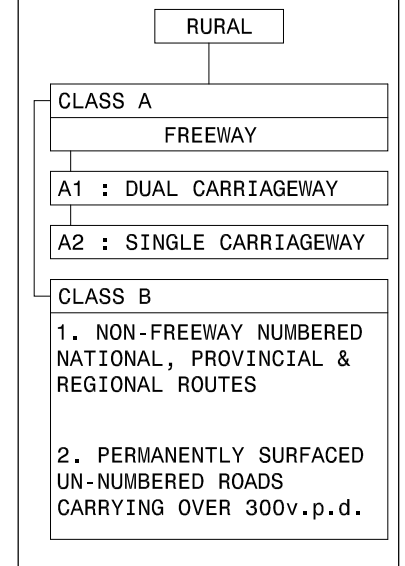
SHOULDER (NO KERB)



WITH KERB AND SIDEWALK

REGULATORY AND WARNING SIGNS

ROAD CLASSIFICATION FOR SIGNING PURPOSES



LATERAL AND VERTICAL SIGN PLACEMENT DIMENSIONS			
DIMENSION	MINIMUM (mm)	PREFERRED (mm)	MAXIMUM (mm)
A [⊙]	1200	1500	2000
B	600	1200	2000
C	800	1200	1600
D	-	-	6000
E	1600	2000	2400
F	750	-	-
G	300	600	-

[⊙] AS MUCH AS POSSIBLE TO PREVENT DAMAGES BY VEHICLES

LATERAL AND VERTICAL POSITIONING OF ROAD SIGNS

	CONSTRUCTION RECORD (AS-BUILT) WORKS CONTRACT ENGINEER Name: _____ Prof. Reg. No.: _____ Date: _____	SNA CIVIL AND STRUCTURAL ENGINEERS (Pty) LTD SNAVIA BUILDING 285 ALBERTUS STREET LA MONTAGNE 0184 P.O. Box 72727 LYNWOOD RIDGE 0040 Tel: 012-842 0000 Fax: 012-803 4429 e-mail: pta@sna.co.za web: www.sna.co.za	DESIGNED BY NAME: G. LOUBSER Prof. Reg. No.: 880359 CHECKED BY NAME: _____ Prof. Reg. No.: _____ DRAWN BY NAME: L.V.D. MERWE	CONSULTANT APPROVAL Name: J.W.B. STOLTZ Prof. Reg. No.: 880512 Date: APRIL 2016	HEAD OFFICE 48 Tambolie Avenue Val de Grace Pretoria 0184 PO Box 415 Pretoria 0001 South Africa Tel: (012) 844 8000	SANRAL SOUTH AFRICAN NATIONAL ROADS AGENCY BUILDING SOUTH AFRICA THROUGH BETTER ROADS	NORTHERN REGION 38 Ida Street Menlo Park Pretoria 0081 Private Bag X17 Lynnwood Ridge 0040 Tel: (012) 426 6200	ACCEPTANCE THIS ACCEPTANCE IS FOR PROCEDURAL AND ADMINISTRATIVE REVIEW PURPOSES ONLY AND DOES NOT ATTRACT LEGAL LIABILITY OR LIABILITY OF ANY KIND FROM WHATSOEVER CAUSE OR HOWEVER ARISING For the SA NATIONAL ROADS AGENCY SOC. LTD. Date: _____	PROJECT DESCRIPTION MAPUTO DEVELOPMENT CORRIDOR (MDC) PRETORIA TO LEBOMBO BORDER POST ROUTINE ROAD MAINTENANCE DRAWING DESCRIPTION ROAD SIGNS - TYPICAL DETAILS (Sheet 1 of 2 Sheets)	PROJECT NUMBER TRAC/MAINT-2019-01 DRAWING LOCATION DATA ROUTE SECTION PRETORIA LEBOMBO BORDER DRAWING TYPE ROADS - TYPICAL DETAILS BRIDGE/STRUCTURE No. CONSULTANT DRAWING No. SNA-TP1915-F7 SANRAL DOCUMENT #	SCALE: AS SHOWN (A0) SHEET 1 OF 2 VER V1
--	--	--	---	--	---	---	--	---	---	--	--