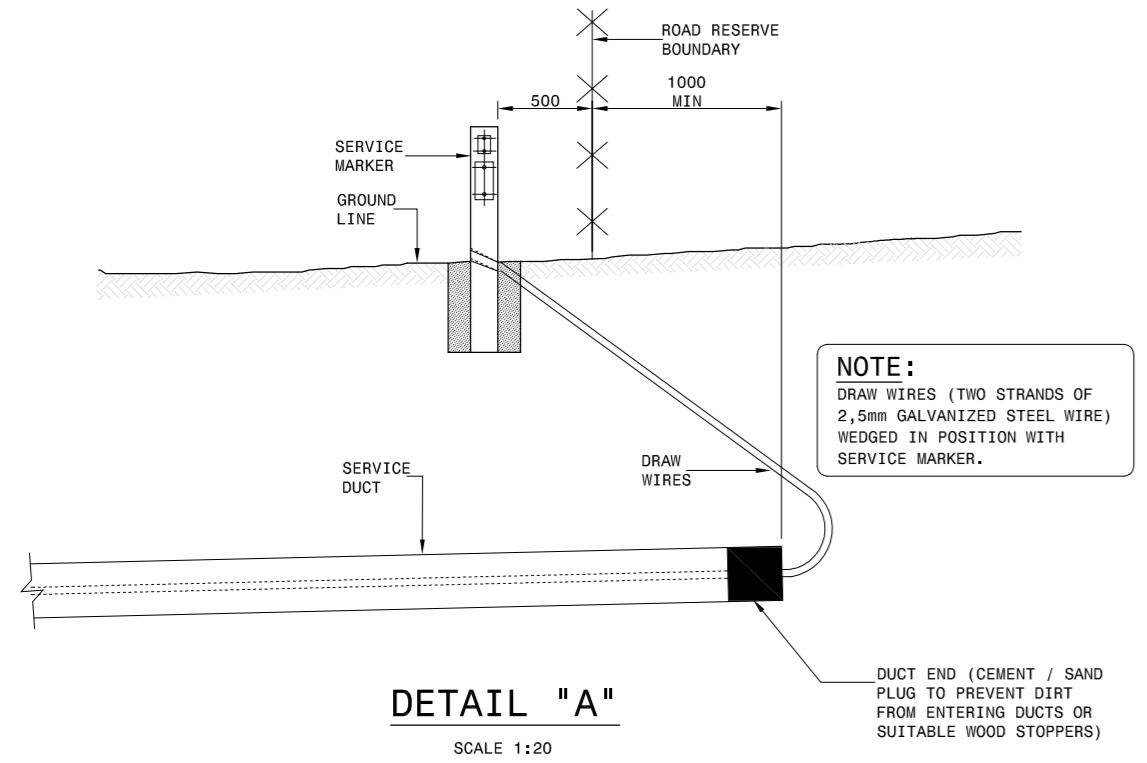
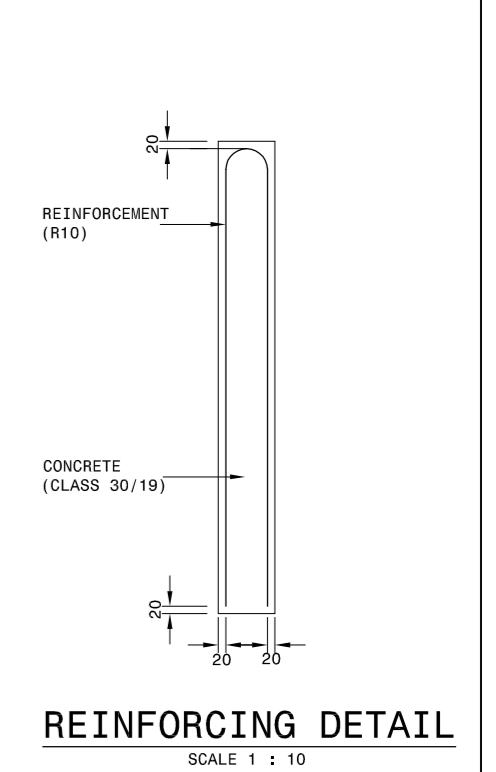
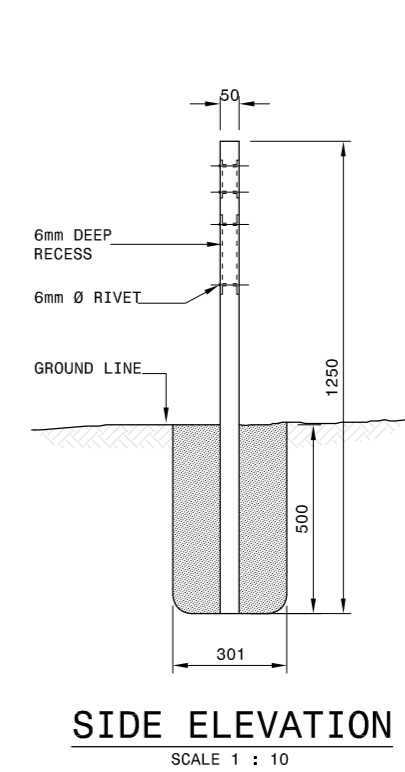
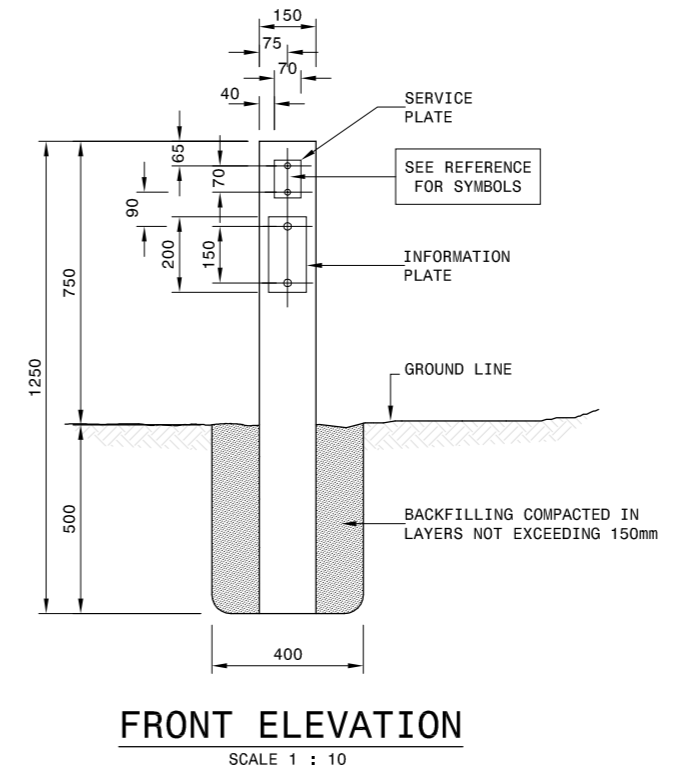
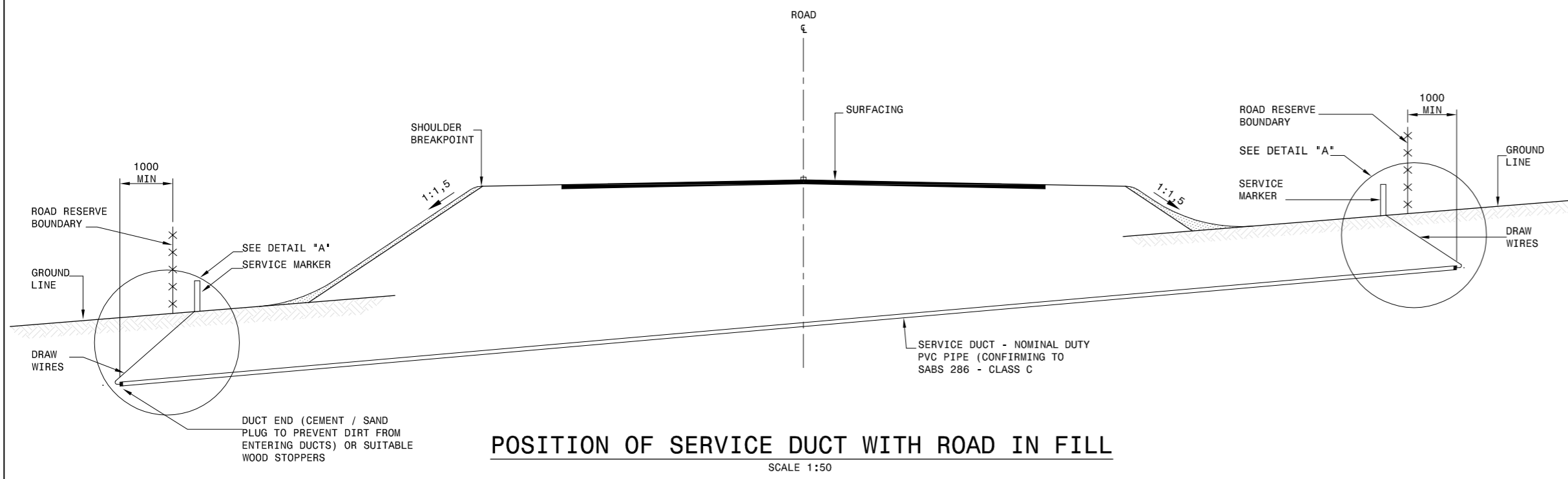
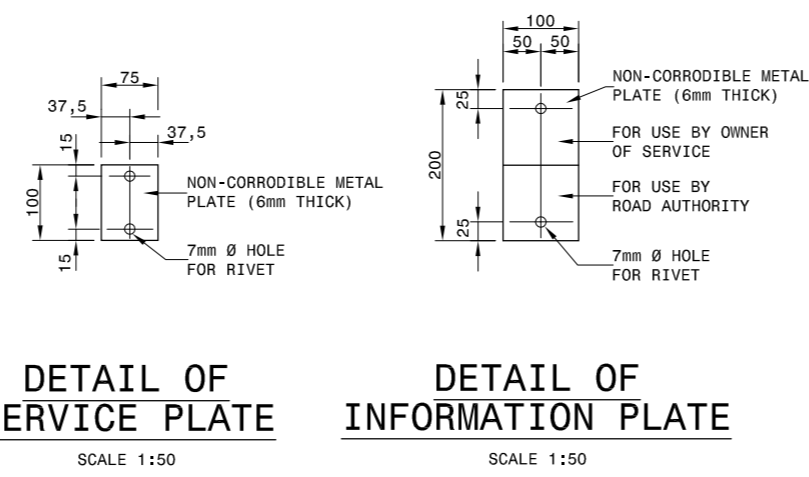


TYPICAL PLAN OF SERVICE DUCTS AND SERVICE MARKERS



NOTE:
DRAW WIRES (TWO STRANDS OF 2,5mm GALVANIZED STEEL WIRE) WEDGED IN POSITION WITH SERVICE MARKER.

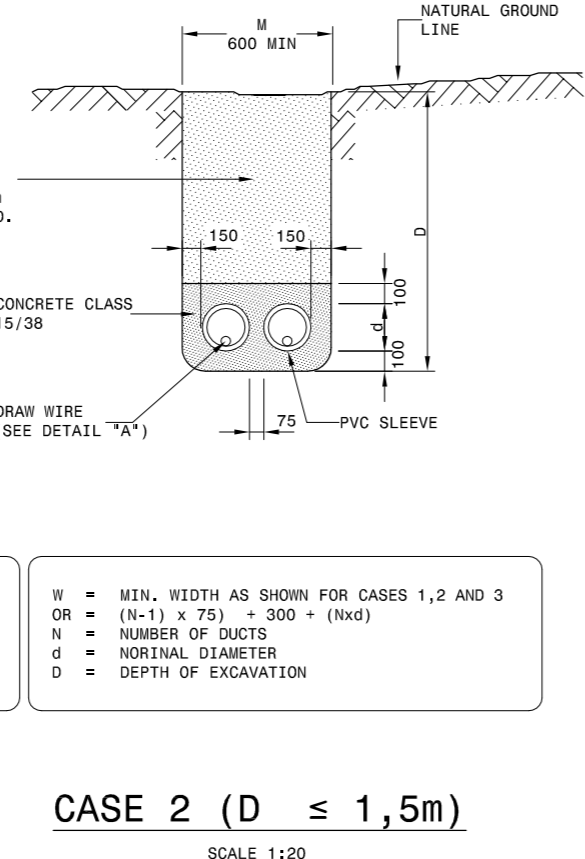
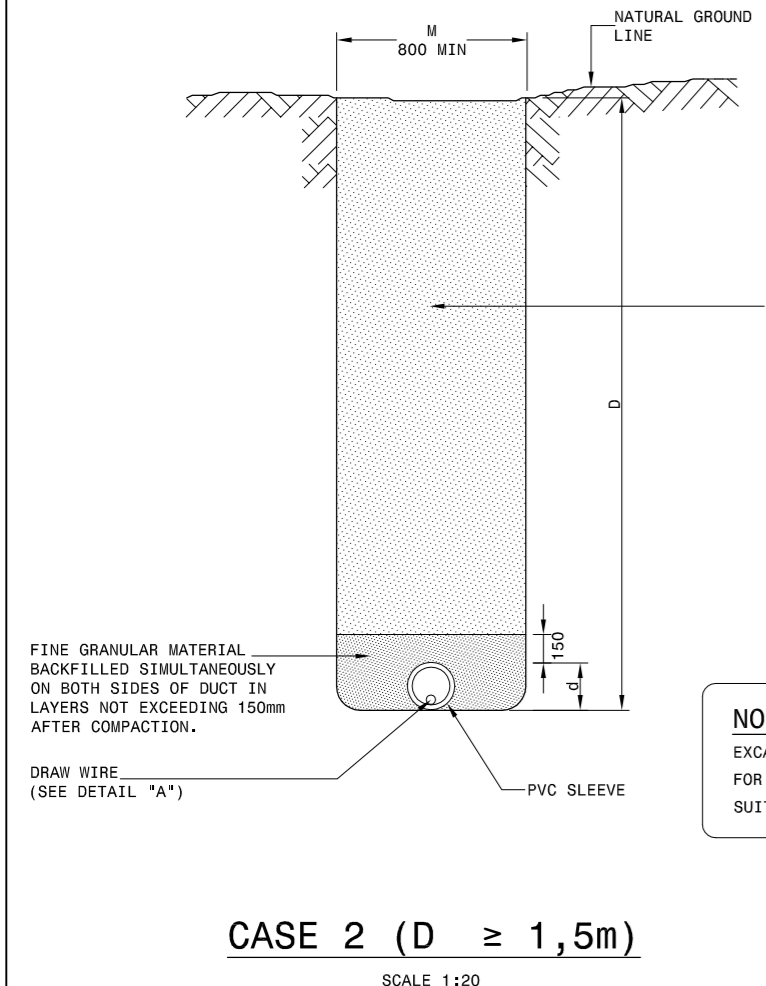


REFERENCE OF SYMBOLS

- W - WATER PIPE
- T - TELKOM
- G - GAS
- P - PETROLEUM PRODUCTS
- E - ELECTRICITY
- R - SEWER
- S - STORMWATER
- I - IRRIGATION WATER
- - SUBSURFACE DRAIN (DENOTES START AND END)

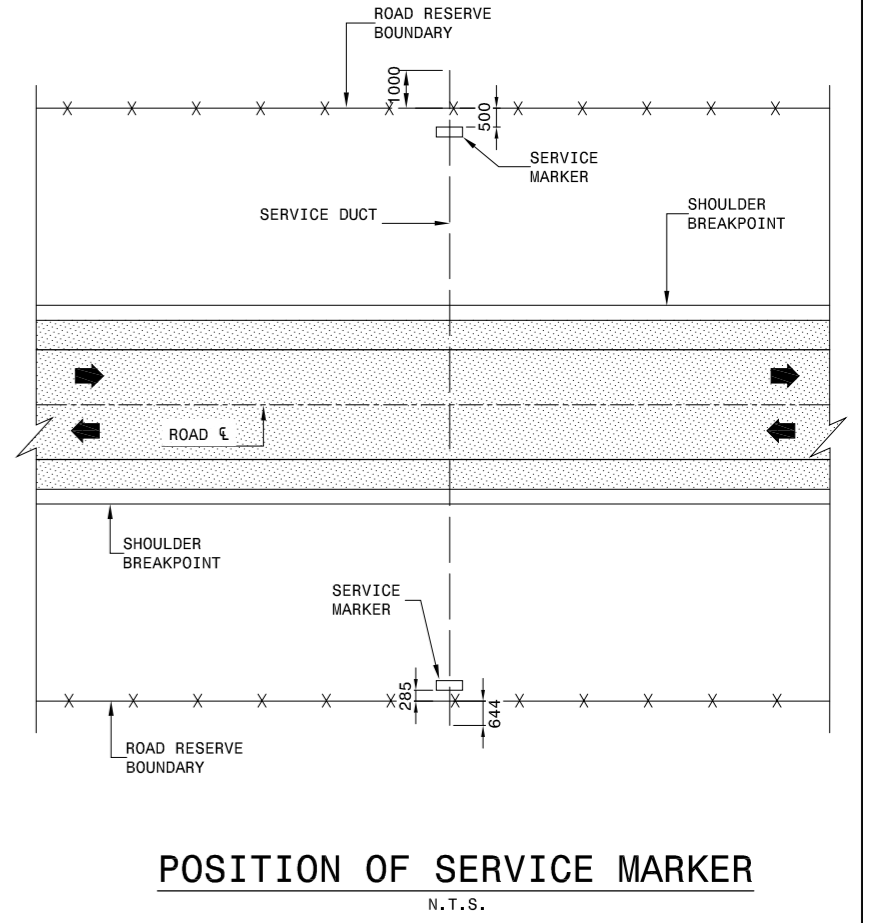
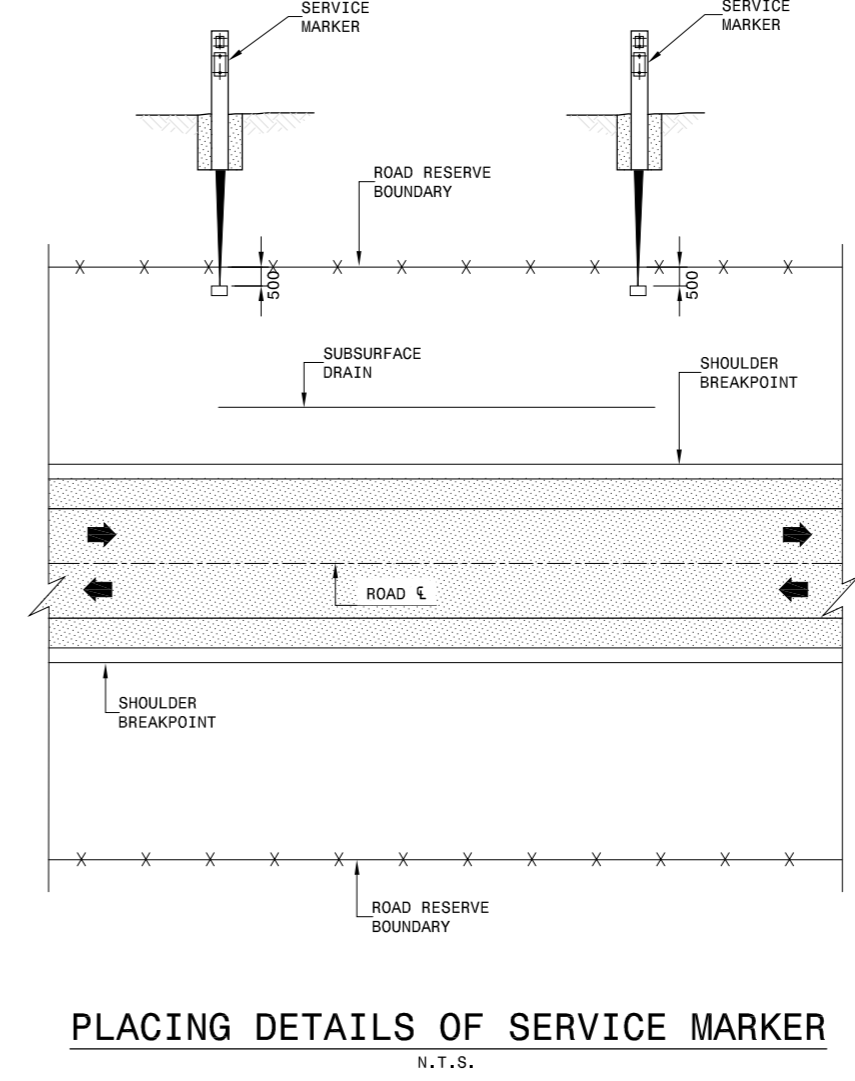
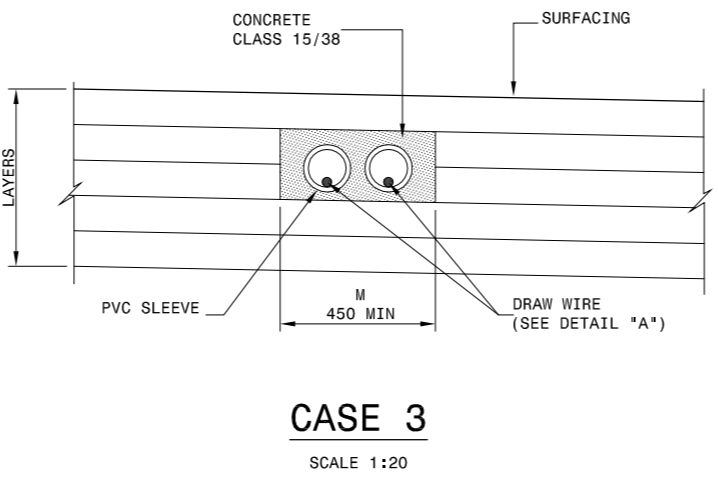
INFORMATION ON PLATE

1. OWNER OF SERVICE
2. SIZE OF SERVICE e.g. PIPE DIA. ect.
3. DATE OF INSTALLATION/RELOCATION
4. DEPTH BELOW DATUM LEVEL



NOTE:
EXCAVATED MATERIAL TO BE USED FOR BACKFILLING IF FOUND SUITABLE BY ENGINEER

W = MIN. WIDTH AS SHOWN FOR CASES 1,2 AND 3
OR = (N-1) x 75 + 300 + (Nx)d
N = NUMBER OF DUCTS
d = NOMINAL DIAMETER
D = DEPTH OF EXCAVATION



CONSTRUCTION RECORD (AS-BUILT) WORKS CONTRACT ENGINEER Name: G. LOUBSER Prof. Reg. No.: 860359 Date: APRIL 2016		DESIGNED BY NAME: G. LOUBSER Prof. Reg. No.: 860359 CHECKED BY:		CONSULTANT APPROVAL Name: J.W.B. STOLTZ Prof. Reg. No.: 960512 Date: APRIL 2016		HEAD OFFICE 48 Tamboite Avenue Val de Grace Pretoria 0184 PO Box 415 Pretoria 0001 South Africa Tel: (012) 844 8000		NORTHERN REGION 38 Ida Street Menlo Park Pretoria 0081 Private Bag X17 Lynnwood Ridge 0040 Tel: (012) 426 6200		ACCEPTANCE THIS ACCEPTANCE IS FOR PROCEDURAL AND ADMINISTRATIVE REVIEW PURPOSES ONLY AND DOES NOT ATTRACT LEGAL LIABILITY OR LIABILITY OF ANY KIND FROM WHATSOEVER CAUSE OR HOWEVER ARISING for the SA NATIONAL ROADS AGENCY SOC LTD. Date:		PROJECT DESCRIPTION MAPUTO DEVELOPMENT CORRIDOR (MDC) PRETORIA TO LEBOMBO BORDER POST ROUTINE ROAD MAINTENANCE DRAWING DESCRIPTION TYPICAL PLAN OF SERVICE DUCTS AND SERVICE MARKERS		PROJECT NUMBER TRAC/MAINT-2019-01 DRAWING LOCATION DATA ROUTE: PRETORIA LEBOMBO BORDER SECTION: PRETORIA LEBOMBO BORDER DRAWING TYPE ROADS - TYPICAL DETAILS BRIDGE/STRUCTURE No. - CONSULTANT DRAWING No. SNA-TP1915-F4 SANRAL DOCUMENT #		SCALE: AS SHOWN (A0) SHEET 1 OF 1 VER V1	
--	--	---	--	---	--	--	--	---	--	---	--	---	--	---	--	---	--