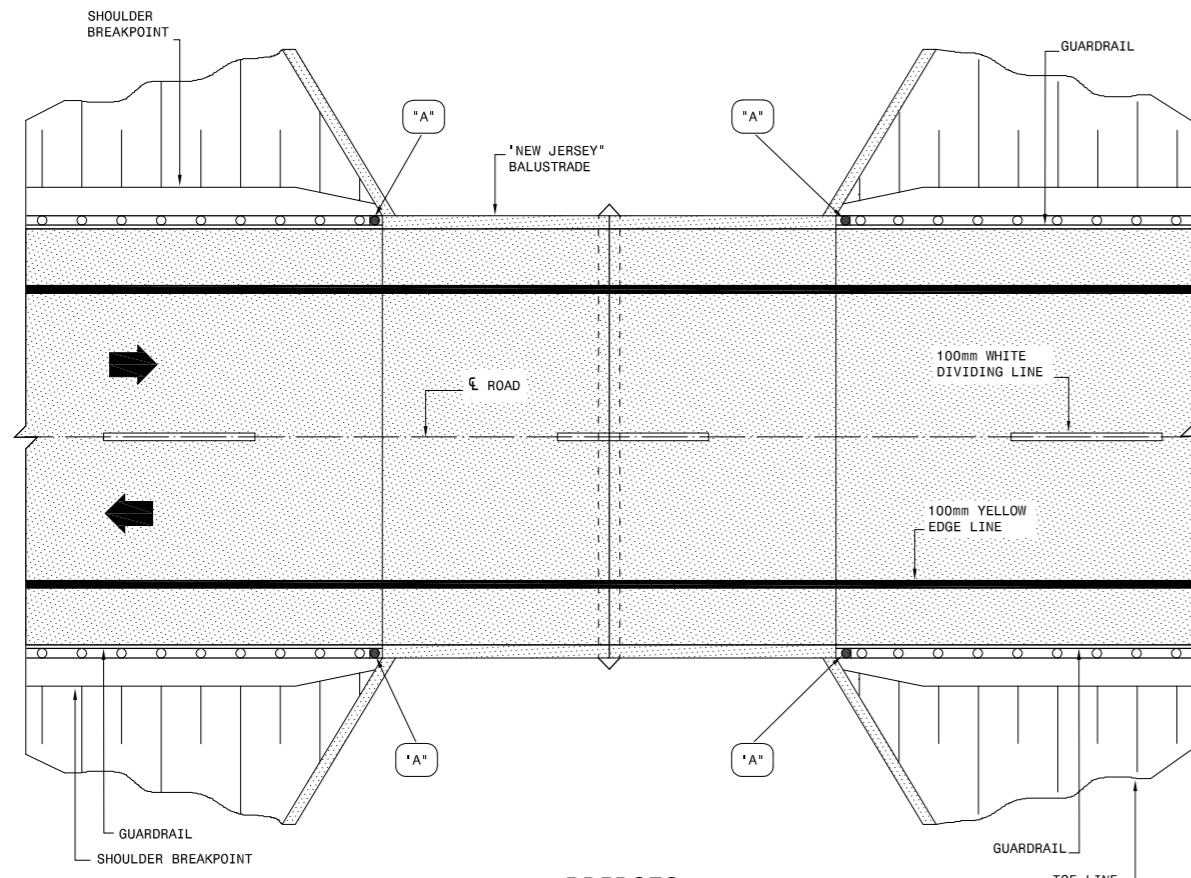
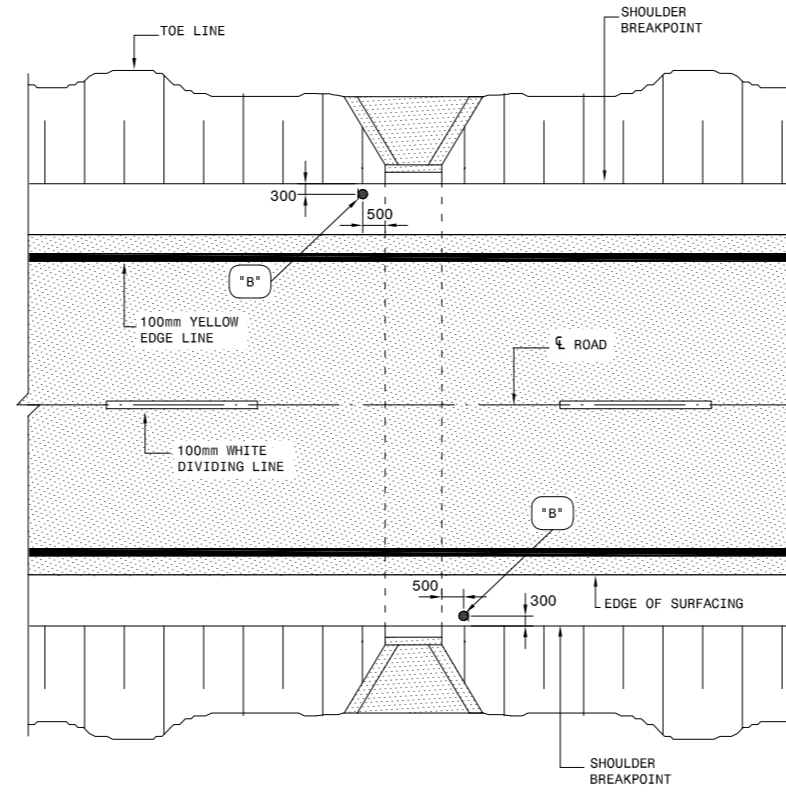


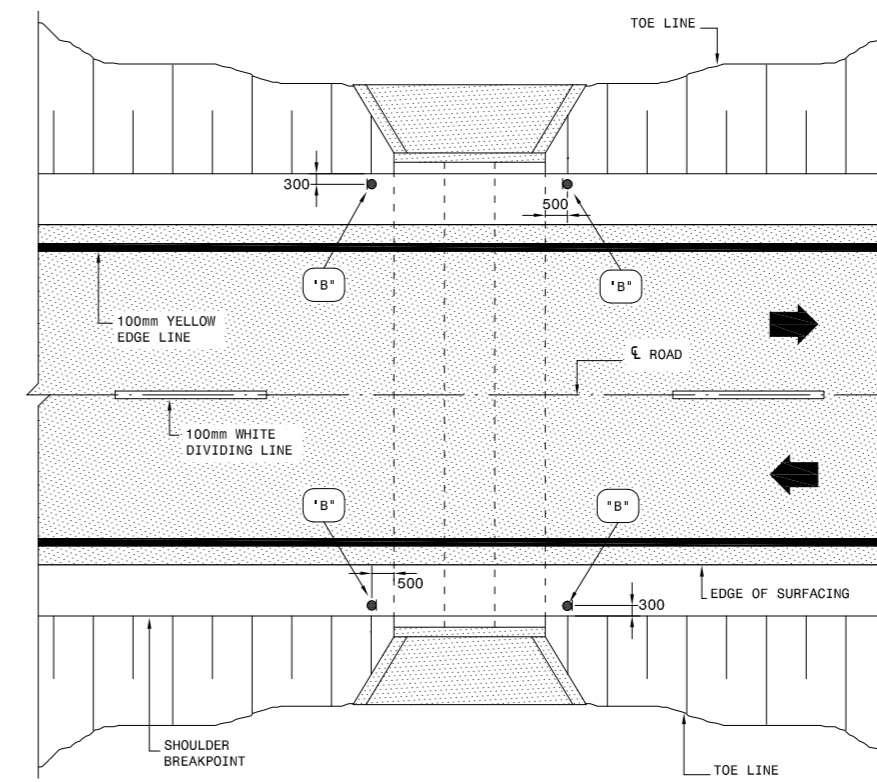
ROAD SIGNS: TYPICAL DETAILS OF DANGER PLATES



BRIDGES



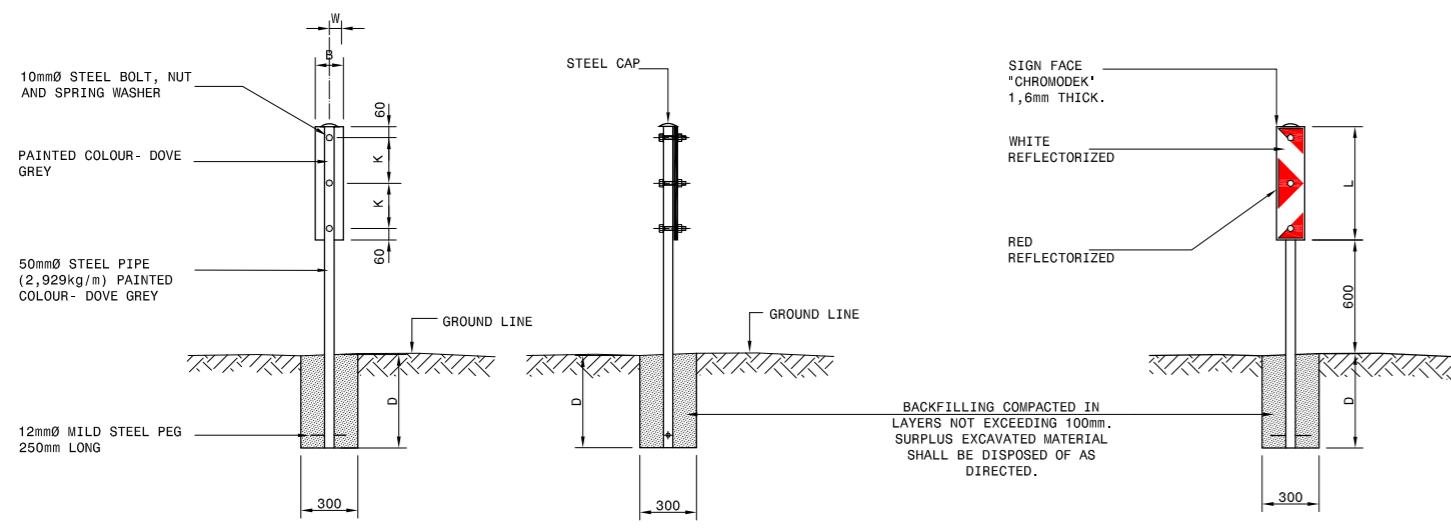
SINGLE CULVERTS



MULTIPLE CULVERTS

POSITION OF TYPE "A" DANGER PLATES AT BRIDGES AND TYPE "B" DANGER PLATES AT CULVERTS

SCALE 1:100



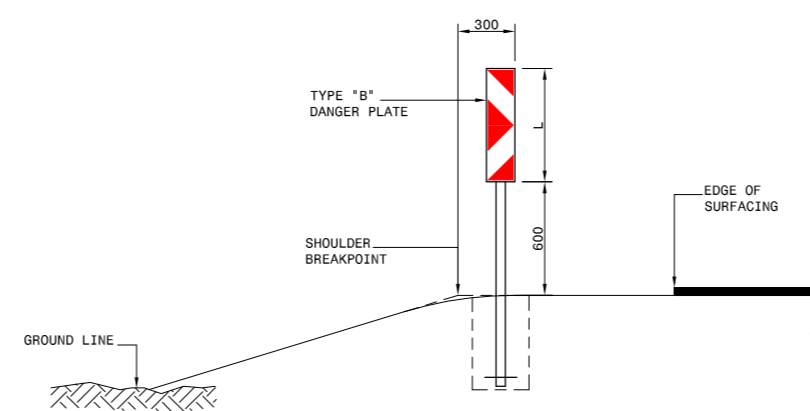
REAR ELEVATION

SIDE ELEVATION

FRONT ELEVATION

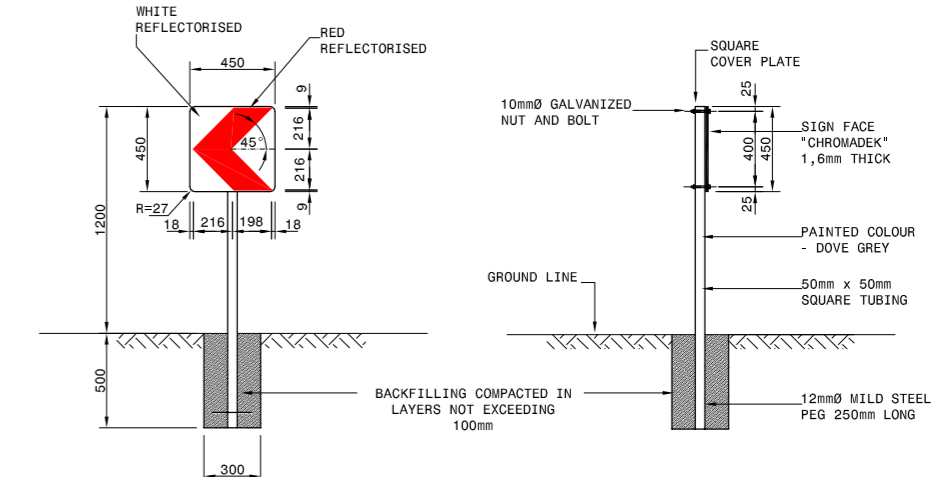
TYPE "A" AND "B" DANGER PLATES (AT BRIDGES AND CULVERTS)

SCALE 1:20



SECTION SHOWING POSITION OF TYPE "B" DANGER PLATES AT CULVERTS

SCALE 1:20



FRONT ELEVATION

SIDE ELEVATION

TYPE "C" DANGER PLATES (AT HORIZONTAL CURVES)

SCALE 1:20

NOTES:

DANGER PLATES:

- THE COLOURS AND SHADES SHALL CONFORM TO THE COLOURS AND SHADES SPECIFIED IN SNA 193 AND SHOWN IN SNA 279.
- THE PREPARATION OF SURFACES AND PAINTING SHALL BE CARRIED OUT AS SPECIFIED IN SECTION B400 OF THE STANDARD SPECIFICATIONS.

DIMENSIONS FOR DANGER PLATES (TYPE "A" AND "B")

| | TYPE | L | B | D | W | K |
|-------------|------|------|-----|-----|-----|-----|
| AT BRIDGES | A | 1200 | 300 | 700 | 150 | 540 |
| AT CULVERTS | B | 600 | 150 | 500 | 75 | 240 |

| | | | | | | | | | | | | | | | | | | | | | | | |
|--|--|--|--|---|--|--|--|---|--|--|--|---|--|---|--|---|--|---|--|---|--|--|--|
| CONSTRUCTION RECORD (AS-BUILT) WORKS CONTRACT ENGINEER Name: G. LOUBSER Prof. Reg. No.: 880359 Date: APRIL 2016 | | CIVIL AND STRUCTURAL ENGINEERS (Pty) LTD SNA VIA BUILDING 285 ALBERTUS STREET LA MONTAGNE 0184 P. O. Box 72727 LYNNWOOD RIDGE 0040 | | TRANS AFRICAN CONCESSIONS (PTY) LTD BLOCK 8 THORNHILL OFFICE PARK 94 BECKER ROAD MIDRAND PO Box 10817 VORVA VALLEY 1586 | | DESIGNED BY NAME: G. LOUBSER Prof. Reg. No.: 880359 CHECKED BY NAME: L. V.D. MERWIE DRAWN BY NAME: L. V.D. MERWIE | | CONSULTANT APPROVAL Name: J.W.B. STOLTZ Prof. Reg. No.: 980512 Date: APRIL 2016 | | HEAD OFFICE 48 Tambotie Avenue Val de Grace Pretoria 0154 PO Box 415 Pretoria 0001 South Africa Tel: (012) 844 8000 | | SANRAL SOUTH AFRICAN NATIONAL ROADS AGENCY SOC LTD BUILDING SOUTH AFRICA THROUGH BETTER ROADS | | NORTHERN REGION 38 Ida Street Menlo Park Pretoria 0081 Private Bag X17 Lynnwood Ridge 0040 Tel: (012) 426 6200 | | ACCEPTANCE THIS ACCEPTANCE IS FOR PROCEDURAL AND ADMINISTRATIVE REVIEW PURPOSES ONLY AND DOES NOT ATTRACT LEGAL LIABILITY OR LIABILITY OF ANY KIND FROM WHATSOEVER CAUSE OR HOWEVER ARISING For the SA NATIONAL ROADS AGENCY SOC LTD. Date: | | PROJECT DESCRIPTION MAPUTO DEVELOPMENT CORRIDOR (MDC) PRETORIA TO LEBOMBO BORDER POST ROUTINE ROAD MAINTENANCE DRAWING DESCRIPTION ROAD SIGNS: TYPICAL DETAILS OF DANGER PLATES | | PROJECT NUMBER TRAC/MAINT-2019-01 DRAWING LOCATION DATA ROUTE: PRETORIA LEBOMBO BORDER SECTION: ROADS - TYPICAL DETAILS DRAWING TYPE: BRIDGE/STRUCTURE No. CONSULTANT DRAWING No.: SNA-TP1915-F3 SANRAL DOCUMENT # | | SCALE: AS SHOWN (A0) SHEET 1 OF 1 VER V1 | |
|--|--|--|--|---|--|--|--|---|--|--|--|---|--|---|--|---|--|---|--|---|--|--|--|