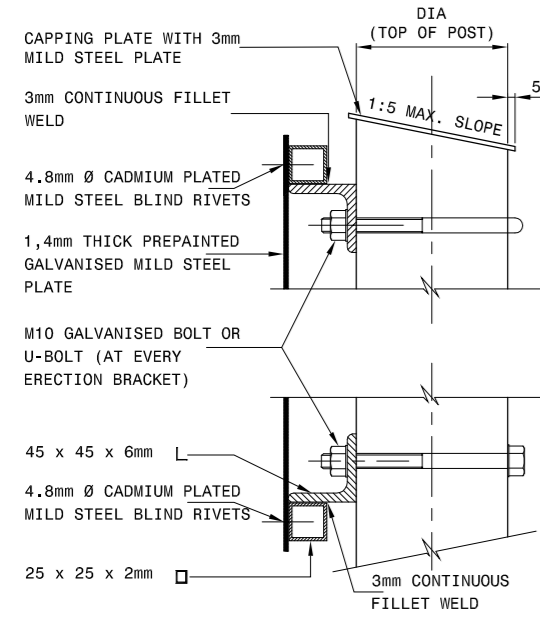
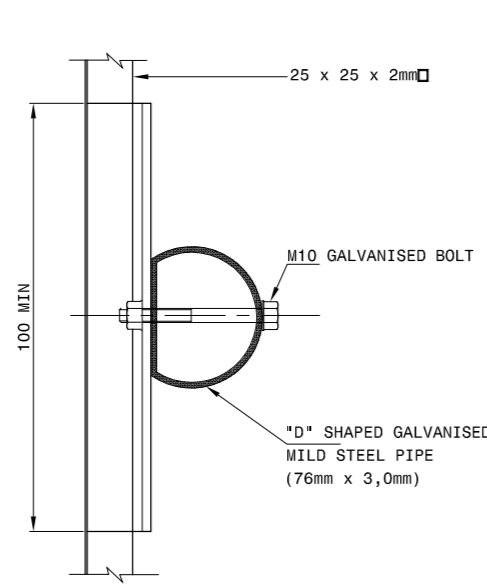


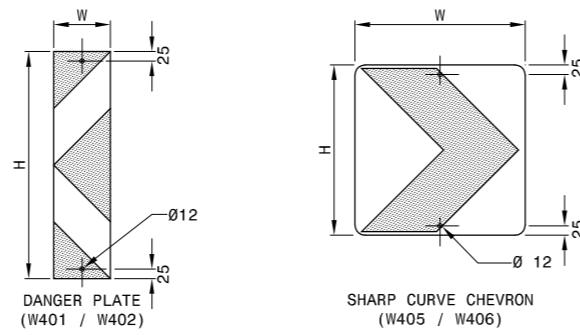
ROAD SIGNS: SMALLER ROAD SIGNS ATTACHMENT AND FIXING DETAILS



SIDE ELEVATION
SCALE 1:2,5

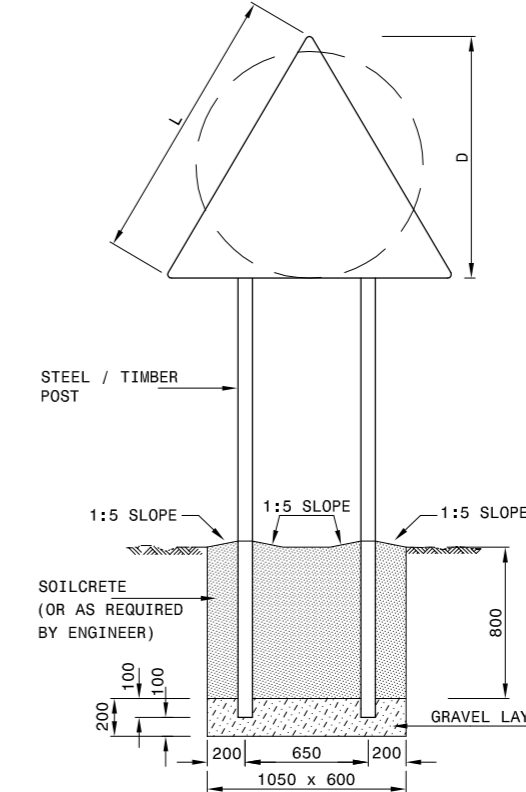


SIDE ELEVATION
SCALE 1:2

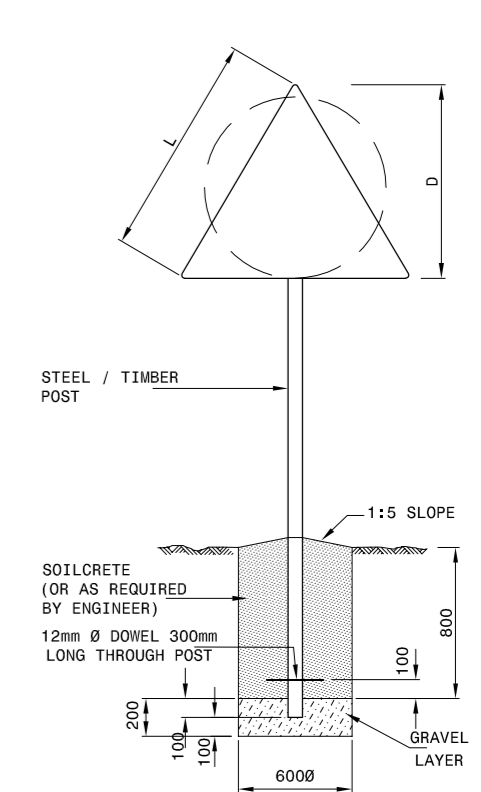


MOUNTING HOLES FOR HAZARD MARKER SIGNS WITHOUT FRAMEWORK
SCALE 1:10

HAZARD MARKER SIGNS		
OPERATING SPEED (km/h)	DANGER PLATE SIGN W401-RIGHT / W402-LEFT	SHARP CURVE CHEVRON W405-RIGHT / W406-LEFT
	SIZE H x W (mm)	SIZE H x W (mm)
120	800 x 200	600 x 600
100	800 x 200	600 x 600
80	600 x 150	450 x 450
60	600 x 150	450 x 450



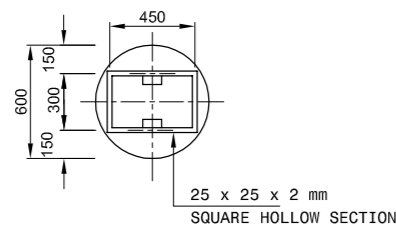
FOUNDATION DETAIL
L = 1500 AND D = 1200
SCALE 1:20



FOUNDATION DETAIL
L ≤ 1200 AND D ≤ 900
SCALE 1:20

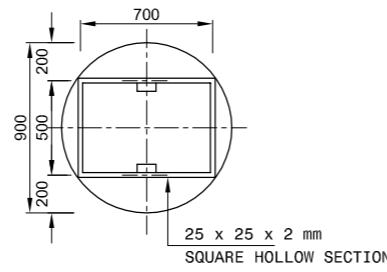
NOTES :

- THE ROAD SIGN FACES SHALL BE MANUFACTURED AND ERECTED IN ACCORDANCE WITH THE FOLLOWING REQUIREMENTS :
- STRUCTURAL STEEL SECTIONS SHALL BE MILD STEEL CONFORMING TO THE REQUIREMENTS OF SANS 1431, GRADE 300W. RECTANGULAR HOLLOW SECTION AND SPECIAL CHANNEL PROFILES MAY BE COLD FORMED OF COMMERCIAL QUALITY MILD STEEL. ALL SECTIONS SHALL BE HOT-DIP GALVANISED IN ACCORDANCE WITH THE REQUIREMENTS OF SANS 121 : 2000 (ISO 1461 : 1999).
 - TIMBER POLE SUPPORTS SHALL COMPLY WITH THE REQUIREMENTS SHOWN ON DRAWING 932/J6 BOLTS, WASHERS AND NUTS SHALL COMPLY WITH THE REQUIREMENTS OF SANS 1700-5-1 AND SHALL BE GALVANISED IN ACCORDANCE WITH THE REQUIREMENTS OF SANS 121 : 2000 (ISO 1461 : 1999).
 - BLIND RIVETS SHALL BE 4.8mm DIA CADMIUM WITH THE REQUIREMENTS OF SANS 121 : 2000 (ISO 1461 : 1999).



25 x 25 x 2 mm SQUARE HOLLOW SECTION

SINGLE SUPPORT

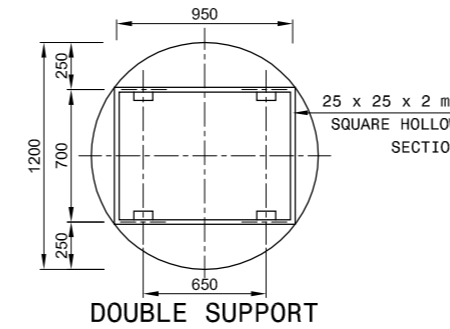


25 x 25 x 2 mm SQUARE HOLLOW SECTION

SINGLE SUPPORT

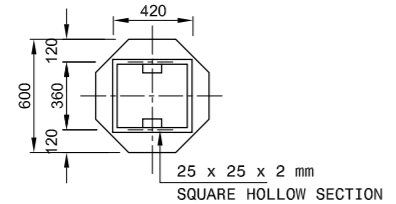
REINFORCEMENT FOR CIRCULAR ROAD SIGNS

SCALE 1 : 20



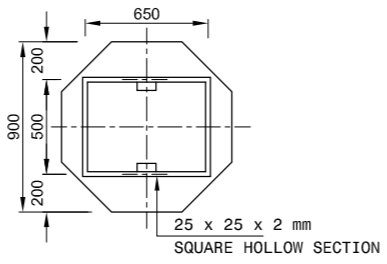
25 x 25 x 2 mm SQUARE HOLLOW SECTION

DOUBLE SUPPORT



25 x 25 x 2 mm SQUARE HOLLOW SECTION

SINGLE SUPPORT

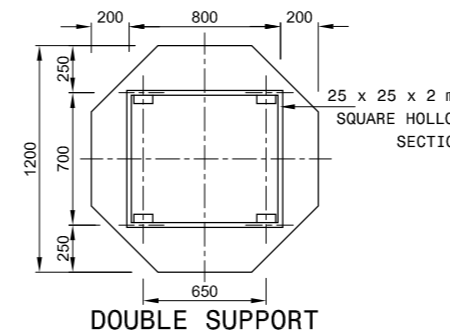


25 x 25 x 2 mm SQUARE HOLLOW SECTION

SINGLE SUPPORT

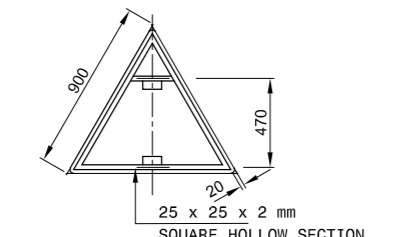
REINFORCEMENT FOR STOP SIGNS

SCALE 1 : 20



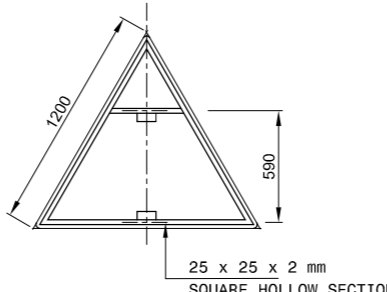
25 x 25 x 2 mm SQUARE HOLLOW SECTION

DOUBLE SUPPORT



25 x 25 x 2 mm SQUARE HOLLOW SECTION

SINGLE SUPPORT



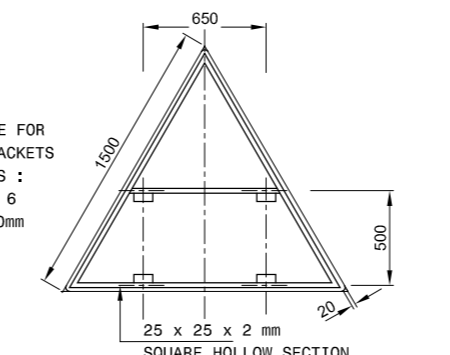
25 x 25 x 2 mm SQUARE HOLLOW SECTION

SINGLE SUPPORT

REINFORCEMENT FOR TRIANGULAR SIGNS

SCALE 1 : 20

NOTE:
MINIMUM SIZE FOR ERECTION BRACKETS ON R/W SIGNS :
L 45 x 45 x 6
LENGTH : 100mm



25 x 25 x 2 mm SQUARE HOLLOW SECTION

DOUBLE SUPPORT

	MINIMUM REGULATORY SIGN SIZES		
	OPERATING SPEED (km/h)		
	100-120	70-90	60
CIRCULAR SIGN DIAMETER (mm)	1200	900	600
RECTANGULAR SIGN WxH (mm)	1200x900	900x675	600x450
TRIANGULAR SIGN SIDE LENGTH (mm)	1500	1200	900

ADVANCE WARNING SIGN LOCATION AND SIZE		
OPERATING SPEED (km/h)	LOCATION (DISTANCE FROM HAZARD)	SIZE (mm)
	(m)	
120	330	1500
100	240	1500
80	160	1200
60	120	900

NOTES:

- THE ROAD SIGN FACES SHALL BE MANUFACTURED AND ERECTED IN ACCORDANCE WITH THE FOLLOWING REQUIREMENTS :
- DETAILS ON THIS DRAWING ARE APPLICABLE TO ROAD SIGNS SMALLER THAN 1,5m² REQUIRING DOUBLE / SINGLE SUPPORTS.
 - STRUCTURAL STEEL SECTIONS SHALL BE MILD STEEL CONFORMING TO THE REQUIREMENTS OF SANS 1431, GRADE 300W. RECTANGULAR HOLLOW SECTION AND SPECIAL CHANNEL PROFILES MAY BE COLD FORMED OF COMMERCIAL QUALITY MILD STEEL. ALL SECTIONS SHALL BE HOT-DIP GALVANISED IN ACCORDANCE WITH THE REQUIREMENTS OF SANS 121 : 2000 (ISO 1461 : 1999).

CONSTRUCTION RECORD (AS-BUILT) WORKS CONTRACT ENGINEER Name: _____ Prof. Reg. No.: _____ Date: _____ SANRAL PROJECT MANAGER		SNA CIVIL AND STRUCTURAL ENGINEERS (PTY) LTD SNAVIA BUILDING 285 ALBERTUS STREET LA MONTAGNE 0184 P. O. Box 72727 LYNNWOOD RIDGE 0040 Tel: 012-642 0000 Fax: 012-603 4429 e-mail: info@sna.co.za web: www.sna.co.za		TRANS AFRICAN CONCESSIONS (PTY) LTD BLOCK 8 THORNHILL OFFICE PARK 94 BEKKER ROAD MIDRAND PO Box 10817 VORWA VALLEY 1686 Tel: 011-805 8786 Fax: 011-805 9789 gesterhuyesen@tracn4.co.za www.tracn4.co.za		DESIGNED BY NAME: G. LOUBSER Prof. Reg. No.: 880359 CHECKED BY NAME: _____ Prof. Reg. No.: _____ DRAWN BY NAME: L.V.D. MERWE		CONSULTANT APPROVAL Name: J.W.B. STOLTZ Prof. Reg. No.: 880512 Date: APRIL 2016		HEAD OFFICE SANRAL SOUTH AFRICAN NATIONAL ROADS AGENCY SOCIETY LTD BUILDING SOUTH AFRICA THROUGH BETTER ROADS 48 Tambotie Avenue Val de Grace Pretoria 0184 PO Box 415 Pretoria 0001 South Africa Tel: (012) 844 8000		NORTHERN REGION 38 Ida Street Menlo Park Pretoria 0081 Private Bag X17 Lynnwood Ridge 0040 Tel: (012) 426 6200		ACCEPTANCE THIS ACCEPTANCE IS FOR PROCEDURAL AND ADMINISTRATIVE REVIEW PURPOSES ONLY AND DOES NOT ATTRACT LEGAL LIABILITY OR LIABILITY OF ANY KIND FROM WHATSOEVER CAUSE OR HOWEVER ARISING for the SA NATIONAL ROADS AGENCY SOCIETY LTD. Date: _____		PROJECT DESCRIPTION MAPUTO DEVELOPMENT CORRIDOR (MDC) PRETORIA TO LEBOMBO BORDER POST ROUTINE ROAD MAINTENANCE DRAWING DESCRIPTION ROAD SIGNS: SMALLER ROAD SIGNS ATTACHMENT AND FIXING DETAILS SCALE : AS SHOWN (A0)		PROJECT NUMBER TRAC/MAINT-2019-01 DRAWING LOCATION DATA ROUTE SECTION DRAWING km DISTANCE DRAWING TYPE BRIDGE/STRUCTURE No. CONSULTANT DRAWING No. SANRAL DOCUMENT #		START END PRETORIA LEBOMBO BORDER ROADS - TYPICAL DETAILS SNA-TP1915-F2 V1	
--	--	---	--	--	--	---	--	--	--	---	--	--	--	--	--	--	--	---	--	---	--