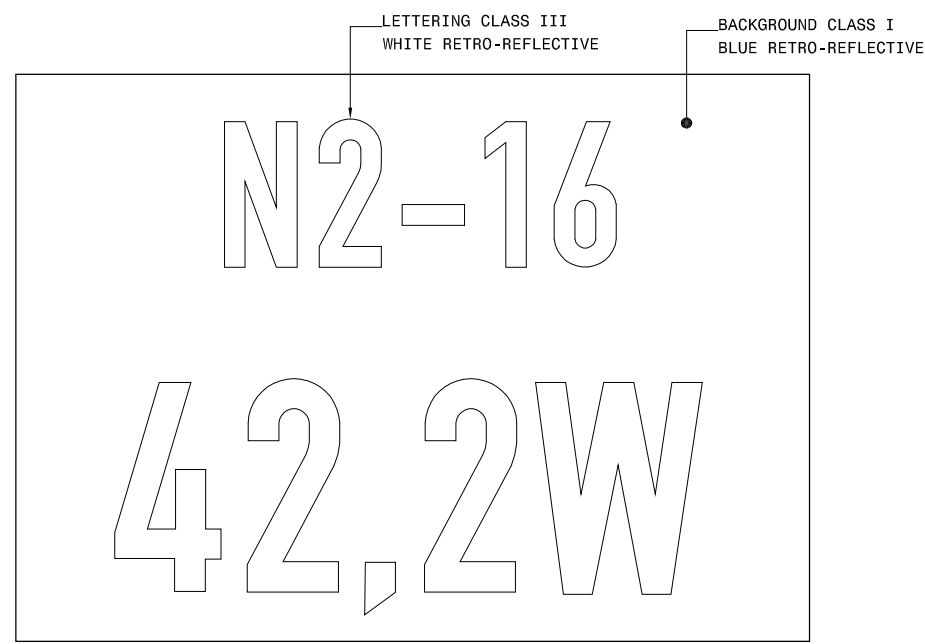
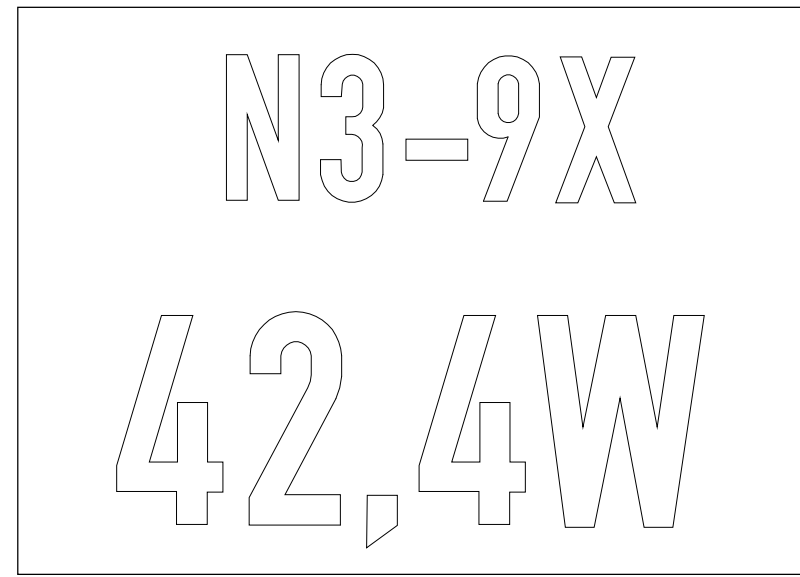


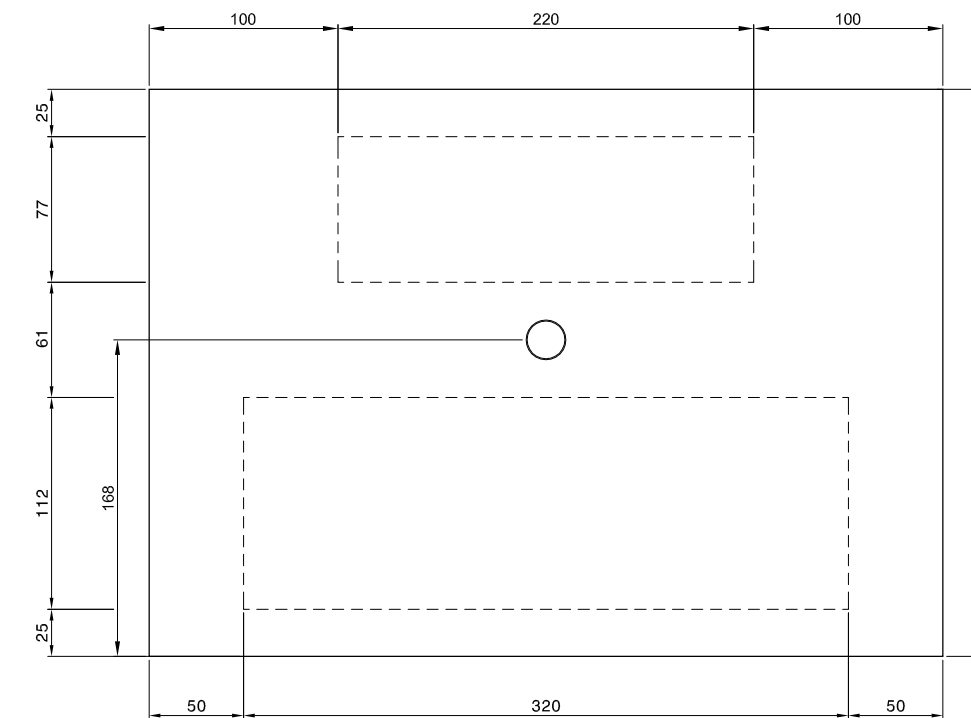
ROAD SIGNS: REFERENCE MARKER BOARD



TYPE 1: REFERENCE MARKER BOARD FOR NATIONAL ROADS (EVERY 200m, EXCLUDING FULL KILOMETRE DISTANCES)



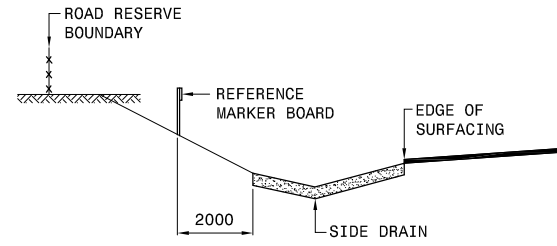
TYPE 2: REFERENCE MARKER BOARD FOR TEMPORARILY PROCLAIMED NATIONAL ROADS



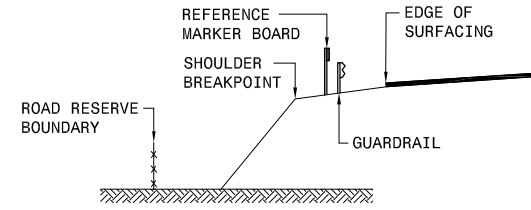
IN-BETWEEN SIGNS DIMENSIONS

NOTES:

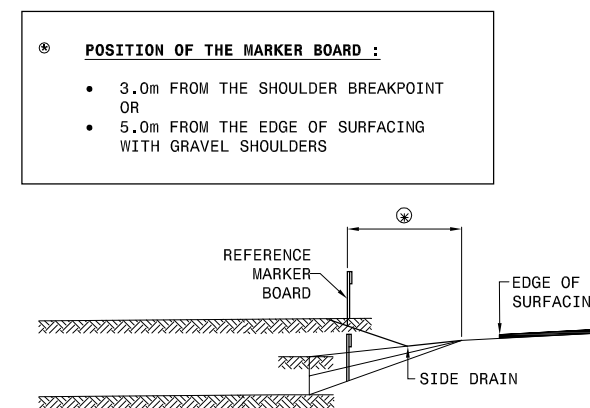
- STANDARD SIZES OF REFERENCE MARKER BOARD TO BE 430x300 OR 600x800 AND 1,9mm THICK CHROMEDECK STEEL PLATE.
- MATERIAL CLASSES AND COLORS SHALL BE AS INDICATED.
- BACKSIDE SHALL BE PAINTED BATTLESHIP GREY.
- TEXT SHALL BE MOD B LETTERING FOR FULL KM BOARDS.
- FOR IN-BETWEEN SIGNS TEXT SHALL BE DIN 1451 PART 2 STYLE 'A' LETTERING (SIZES AS INDICATED).
- THE LEGEND SHALL BE ARRANGED AS FOLLOWS -
TOP LINE -
"N" FOR NATIONAL ROUTE, AND
THE APPROPRIATE ROUTE NUMBER e.g. N4 AND
THE APPROPRIATE SECTION NUMBER e.g. N4-5 (TYPE 1); OR
THE APPROPRIATE SECTION NUMBER AND AN 'X' SUFFIX FOR
A TEMPORARILY PROCLAIMED NATIONAL ROUTE, e.g. N4-5X (TYPE 2).
BOTTOM LINE -
KILOMETER DISTANCE FROM THE START OF A SECTION TO ONE DECIMAL, FOR
EVERY 0,2km
AND
E FOR AN EASTBOUND CARRIAGEWAY
W FOR A WESTBOUND CARRIAGEWAY
N FOR A NORTHBOUND CARRIAGEWAY
S FOR A SOUTHBOUND CARRIAGEWAY.
- THE SIGN SHALL BE MADE OF PREPAINTED GALVANIZED STEEL PLATE (1.4 mm THICK CHROMEDECK OR APPROVED EQUIVALENT)



DETAIL 1
SIGN POSITIONING-DEEP CUT
SCALE 1:100

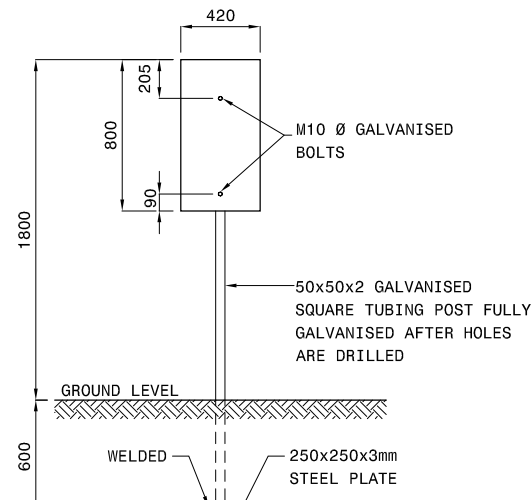


DETAIL 2
SIGN POSITIONING-HIGH FILL
SCALE 1:100

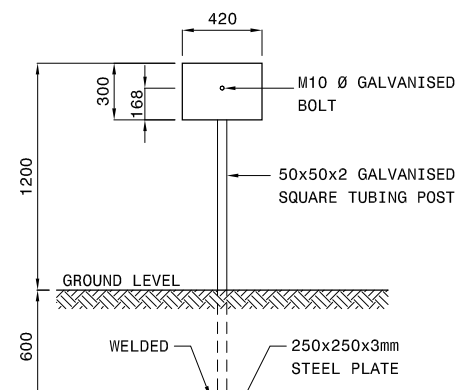


DETAIL 3
SIGN POSITIONING-
LOW FILL / SHALLOW CUT
SCALE 1:100

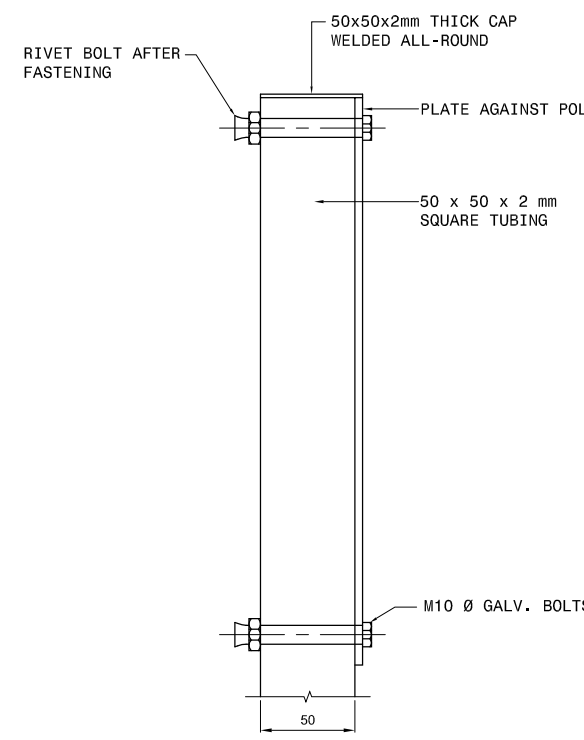
- POSITION OF THE MARKER BOARD :
- 3.0m FROM THE SHOULDER BREAKPOINT OR
 - 5.0m FROM THE EDGE OF SURFACING WITH GRAVEL SHOULDERS



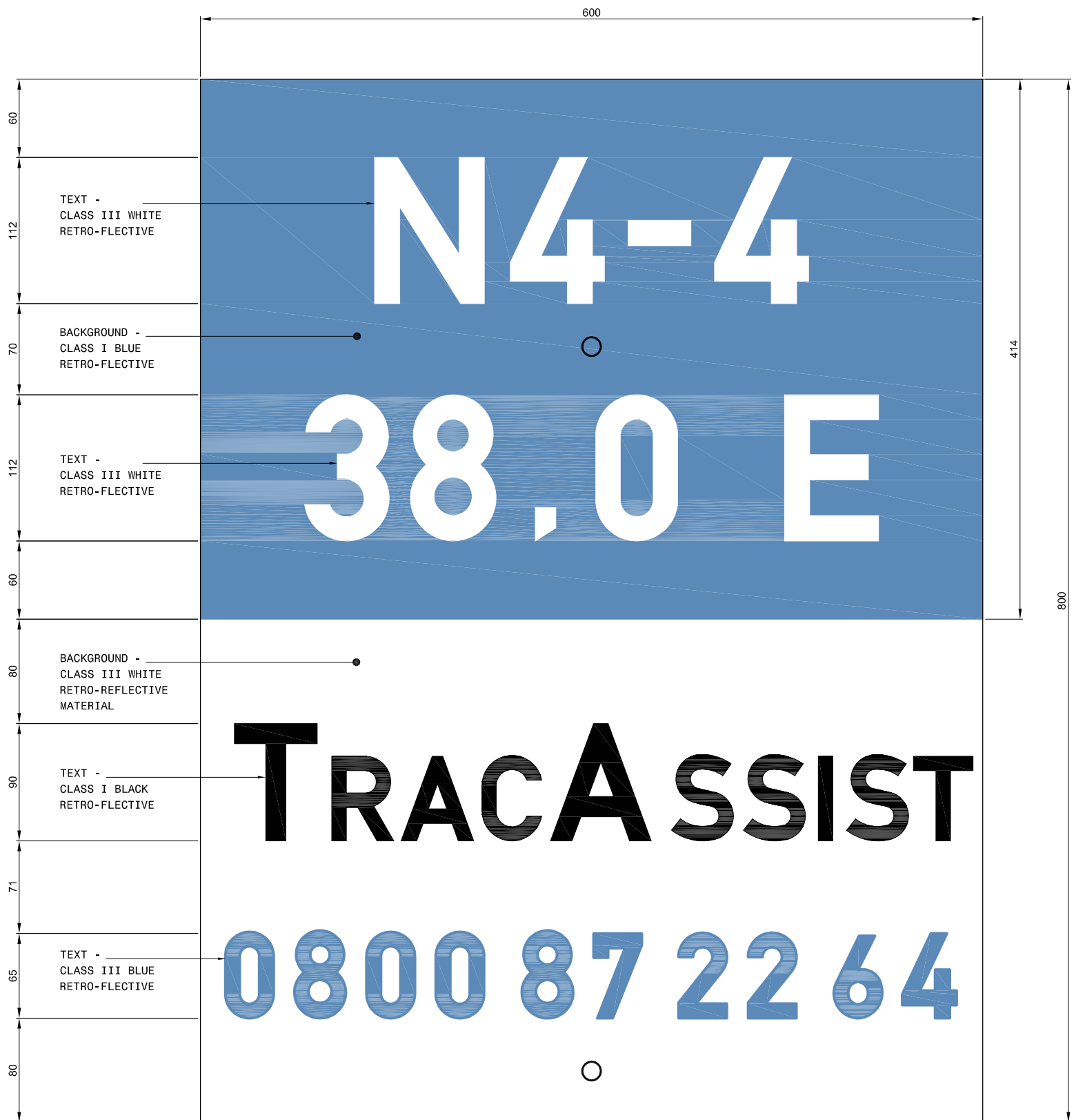
FRONT ELEVATION
(FOR FULL KM SIGNS)
SCALE 1:20



FRONT ELEVATION
(FOR IN-BETWEEN SIGNS)
SCALE 1:20



MOUNTING DETAIL
SCALE 1:2



TYPE 3: DETAIL OF TRAC ASSIST MARKER BOARD AT FULL KILOMETRE DISTANCES

- NOTES:
- SIGNS TO FACE THE ROAD
 - POSITION OF THE MARKER BOARD :
• 3.0m FROM THE SHOULDER BREAKPOINT OR
• 5.0m FROM THE EDGE OF SURFACING WITH GRAVEL SHOULDERS

PLACEMENT DETAIL ON SINGLE CARRIAGEWAY ROADS
SCALE : N.T.S.

CONSTRUCTION RECORD (AS-BUILT) WORKS CONTRACT ENGINEER Name: _____ Prof. Reg. No.: _____ Date: _____ SANRAL PROJECT MANAGER Name: _____ Date: _____		CIVIL AND STRUCTURAL ENGINEERS (Pty) LTD SNAVIA BUILDING 285 ALBERTUS STREET LA MONTAGNE 0184 P. O. Box 72727 LYNNWOOD RIDGE 0040 Tel: 012-842 0000 Fax: 012-803 4429 e-mail: pla@sna.co.za web: www.sna.co.za		TRANS AFRICAN CONCESSIONS (PTY) LTD BLOCK 8 THORNHILL OFFICE PARK 94 BEKKER ROAD MIDRAND PO Box 10817 VORNA VALLEY 1696 Tel: 011-805 8788 Fax: 011-805 8789 gesterhuyzen@tracn4.co.za www.tracn4.co.za B DE BRUTO		DESIGNED BY NAME: G. LOUBSER Prof. Reg. No.: 880359 CHECKED BY: _____ NAME: J.B.W. STOLTZ Prof. Reg. No.: 980512 DRAWN BY: _____ NAME: L.V.D. MERWE		CONSULTANT APPROVAL Name: J.W.B. STOLTZ Prof. Reg. No.: 980512 Date: APRIL 2016		HEAD OFFICE 48 Tambolie Avenue Val de Grace Pretoria 0184 PO Box 415 Pretoria 0001 South Africa Tel: (012) 844 8000		SANRAL SOUTH AFRICAN NATIONAL ROADS AGENCY SOCIETY BUILDING SOUTH AFRICA THROUGH BETTER ROADS		NORTHERN REGION 38 Ida Street Menlo Park Pretoria 0081 Private Bag X17 Lynnwood Ridge 0040 Tel: (012) 426 6200		ACCEPTANCE THIS ACCEPTANCE IS FOR PROCEDURAL AND ADMINISTRATIVE REVIEW PURPOSES ONLY AND DOES NOT ATTRACT LEGAL LIABILITY OR LIABILITY OF ANY KIND FROM WHATSOEVER CAUSE OR HOWEVER ARISING for the SA NATIONAL ROADS AGENCY SOC LTD. Date: _____		PROJECT DESCRIPTION MAPUTO DEVELOPMENT CORRIDOR (MDC) PRETORIA TO LEBOMBO BORDER POST ROUTINE ROAD MAINTENANCE DRAWING DESCRIPTION ROAD SIGNS: REFERENCE MARKER BOARD		PROJECT NUMBER TRAC/MAINT-2019-01 DRAWING LOCATION DATA ROUTE: PRETORIA LEBOMBO BORDER SECTION: _____ DRAWING TYPE: ROADS - TYPICAL DETAILS BRIDGE/STRUCTURE No.: _____ CONSULTANT DRAWING No.: SNA-TP1915-F1 SANRAL DOCUMENT # _____		SCALE: AS SHOWN (A0) SHEET 1 OF 1 VER V1	
---	--	--	--	---	--	---	--	---	--	--	--	---	--	---	--	---	--	---	--	---	--	---	--