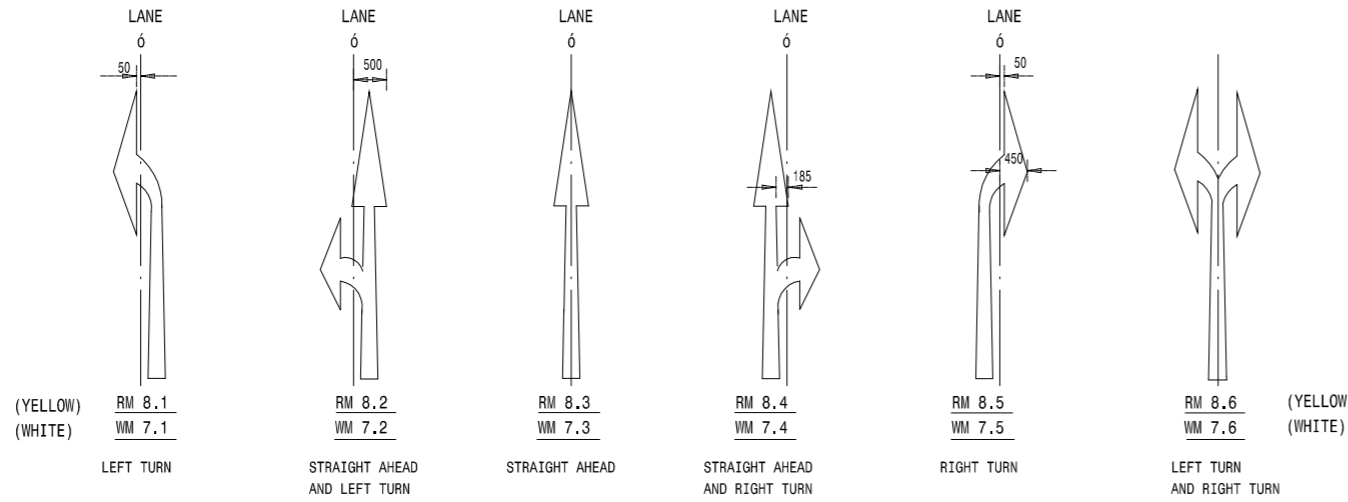
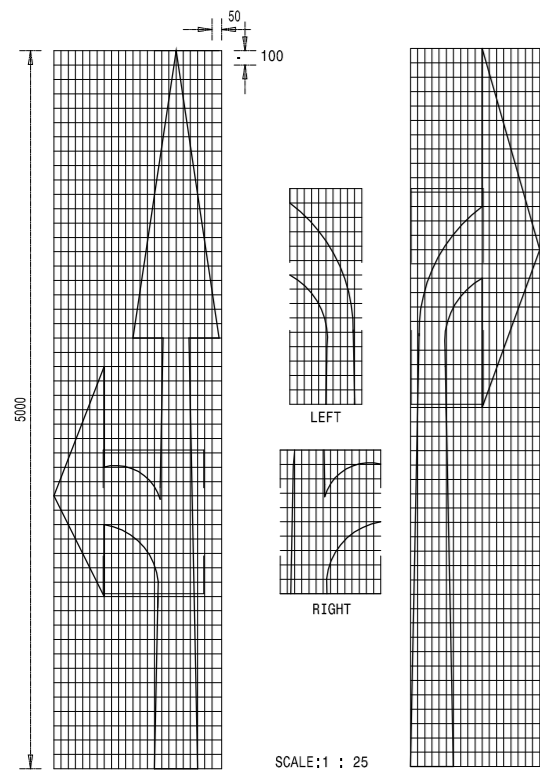


ROAD MARKING DETAILS (Sheet 2 of 2 Sheets)



APPLICATIONS
SCALE: 1:50

Operating Speed km/h	Typical Applications	a	b	c	d	e	f	g	h	i	j	k	l	m	n	o	p	q	r
30 - 40	City Centre	2500	600	350	450	884	200	417	1000	1700	250	550	1250	700	380	1450	58	30	29
50 - 90	Urban/Rural Expressway	4000	960	560	720	1406	320	666	1600	2720	400	880	2000	1120	608	2320	93	48	46
100 - 120	Rural and Freeways	5000	1200	700	900	1767	400	833	2000	3400	500	1100	2500	1400	760	2900	116	60	58
ALL	Special Applications	7500	1800	1050	1350	2651	600	1250	3000	5100	750	1650	3750	2100	1140	4350	174	90	87

ALL Operating Speeds and Applications

	N	O	P	Q	R	S	T
	210	180	350	300	500	400	600

ARROW AREA / (m²)

a	RM8.1/RM8.5 WM7.1/WM7.5	RM8.2/RM8.4 WM7.2/WM7.4	RM8.3 WM7.3	RM8.6 WM7.6
2500	0.67	0.89	0.66	1.03
4000	1.14	1.43	1.06	1.68
5000	1.45	1.78	1.32	2.12
7500	2.23	2.66	1.98	3.20

NOTES: (MANDATORY DIRECTION ARROWS)

- THESE ARROWS MAY BE USED IN LANES TO INDICATE THAT DRIVERS SHALL PROCEED ONLY IN THE DIRECTION OR DIRECTIONS SHOWN. THEY SHOULD ONLY BE USED IF THE JUNCTION CONCERNED REQUIRED TURNING MOVEMENT CONTROL BY LANE.
- THE FINAL ARROW NEAREST THE POINT OF TURN OR STRAIGHT ON MOVEMENT SHALL BE YELLOW. ANY ARROWS MARKED IN ADVANCE OF THIS POINT TO WARN DRIVERS OF THE MANDATORY MOVEMENT AHEAD SHALL BE WHITE.
- A MANDATORY OR WARNING DIRECTION ARROW SHALL NOT BE USED IN ADVANCE OF A WIDENING OF THE ROADWAY TO A GREATER NUMBER OF LANES. THIS SHALL BE INDICATED IF NECESSARY, BY USING FURCATION ARROWS.

LEGEND:

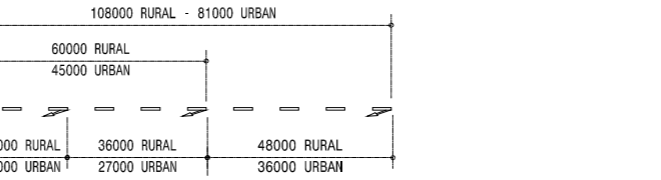
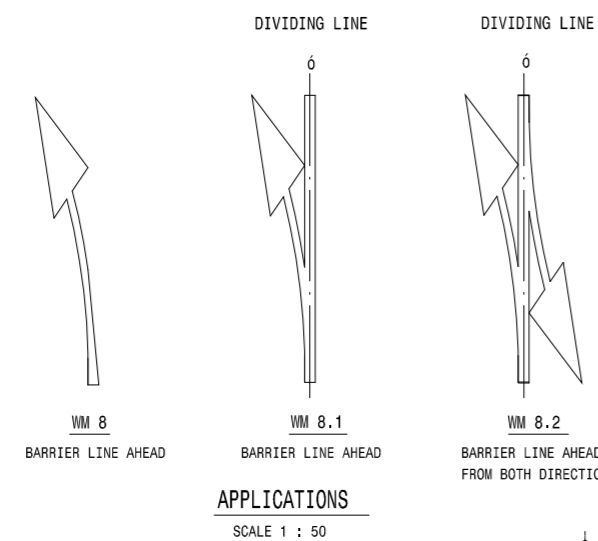
R = RED	
W = WHITE	
Y = YELLOW	

DIMENSIONS (mm)

Typical Applications	a	b	c	d	e	f	g	h	r	r'
Urban	3000	1941	83	976	1741	528	731	1206	5620	5820
Rural	4000	2588	111	1301	2321	704	975	1698	9900	10000

ALL Applications

	H	I	J	K	L	M
	735	260	181	219	75	100 or 150

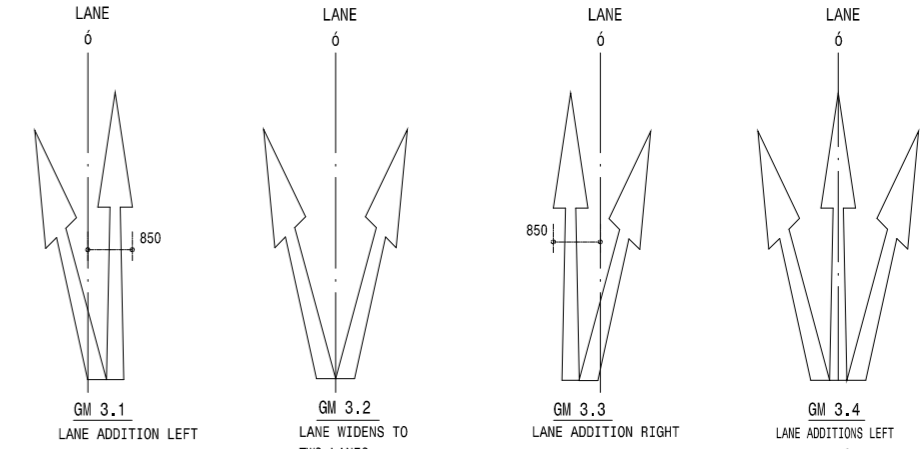
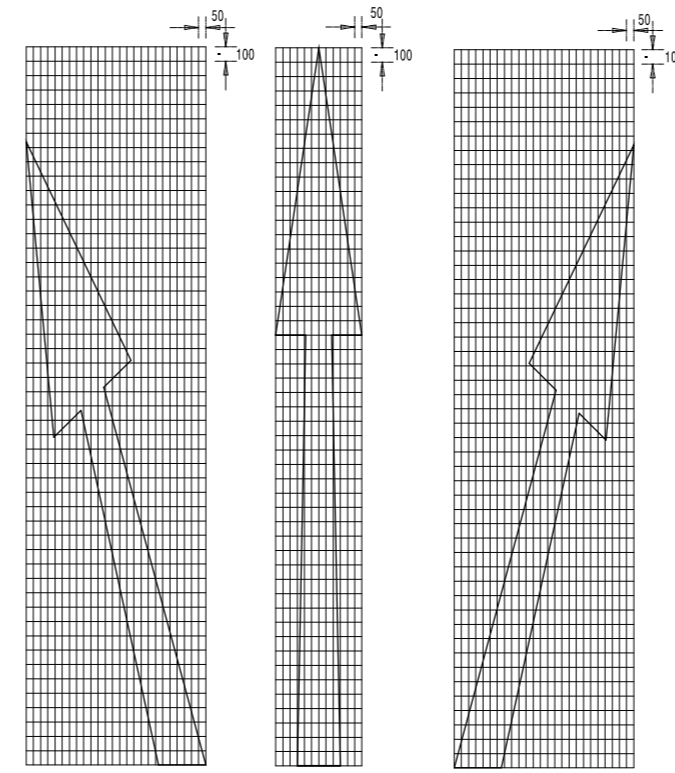


MARKING SPACING

ARROW AREA / (m²)	a
Per Arrow	
3000	0.62
4000	0.82

NOTES: (BARRIER LINE AHEAD ARROWS)

- THESE ARROWS SHOULD BE USED IN MULTIPLES OF THREE (AT LEAST) IN ADVANCE OF THE START OF A SECTION OF NO OVERTAKING LINE, NO CROSSING LINE OR PAINTED ISLAND WHEN SUCH BARRIER LINES REPLACE A DIVIDING LINE.
- THE ARROWS MAY BE MARKED ON TOP OF EXISTING DIVIDING LINE MARKINGS (IF THE EXISTING LINE IS A CENTRE LINE TO A 10m OR 7.2m MODULE THE POINT OF THE ARROW SHOULD BE LINED UP WITH THE FORWARD END OF THE LINE).
- WHEN OVERTAKING SECTIONS ARE REGULARLY INTERSPERSED WITH NO OVERTAKING SECTIONS AND ARE SHORT IN LENGTH MARKING WM 6.2 MAY BE USED AT THE CENTRE OF THE OVERTAKING SECTION.



APPLICATIONS
SCALE: 1:50

Operating Speed km/h	Typical Applications	a	b	c	d	e	f	g	h	i	j
30 - 40	City Centre	2500	1500	1000	2170	1141	268	761	1235	81	855
50 - 60	Urban Roads	4000	2400	1600	3472	1826	429	1218	1976	129	1367
70 - 90	Urban Arterial Roads/ Rural Expressways	5000	3000	2000	4340	2282	536	1522	2470	161	1709
100 - 120	Rural Roads and Freeways	7500	4500	3000	6510	3423	804	2283	3705	242	2564

ALL Operating Speeds and Applications

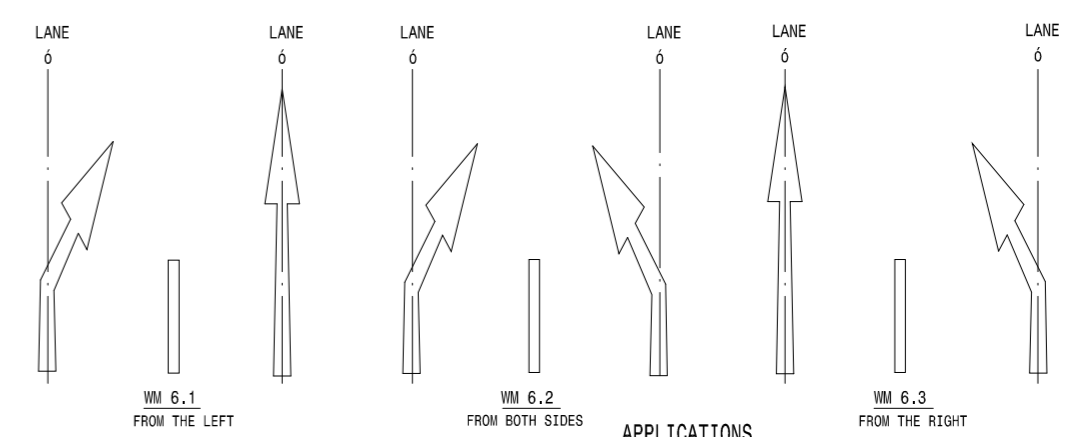
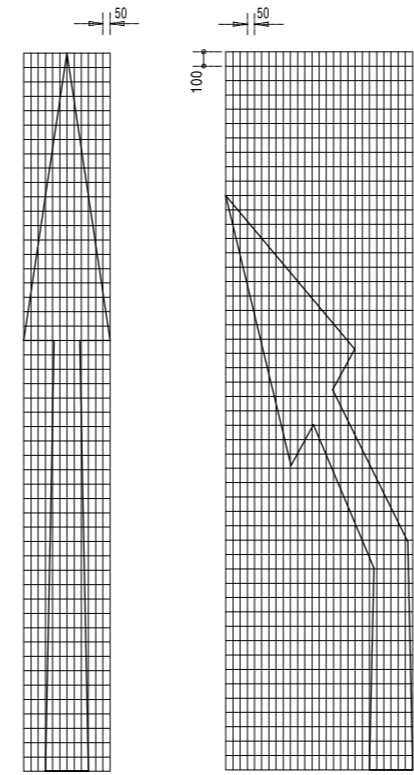
	K	L	M	N	O	P	Q	R	S	T
	1700	1250	1100	210	180	921	329	300	188	161

ARROW AREA / (m²)

a	GM3.1/GM3.3	GM3.2	GM3.4
2500	1.30	1.27	1.93
4000	2.07	2.04	3.09
5000	2.59	2.55	3.87
7500	3.89	3.82	5.80

NOTES: (FURCATION ARROWS)

- THESE ARROWS MAY BE USED TO INDICATE THAT THE NUMBER OF LANES IS INCREASING AHEAD. ONLY ONE SET OF ARROWS SHOULD BE USED UNLESS A LEFT AND RIGHT TURN LANE ARE ADDED TO A MULTI-LANE ROADWAY AT THE SAME POINT WHERE TWO SETS MAY BE USED.
- DIRECTION ARROWS AHEAD SHALL NOT BE USED TO INDICATE THE ADDITION OF LANES AHEAD.
- AS A GENERAL RULE BIFURCATION ARROWS SHOULD BE LOCATED TWO TO THREE MARKING MODULES BEFORE THE START OF THE LANE GENERATING TAPER OR CURVE.



APPLICATIONS
SCALE: 1:50

Operating Speed km/h	Typical Applications	a	b	c	d	e	f	g	h	i	j	k
30 - 40	City Centre	4000	2400	1600	3200	1271	847	227	855	1696	1277	1126
50 - 60	Urban Roads	5000	3000	2000	4000	1589	1058	284	1069	2120	1596	1407
70 - 90	Urban Arterial Roads/ Rural Expressways	7500	4500	3000	6000	2384	1587	426	1603	3180	2394	2111
100 - 120	Rural Roads and Freeways	12000	7200	4800	9600	3814	2539	681	2566	5089	3830	3377

ALL Operating Speeds and Applications

	U	V
	300	210

NOTES: (LANE REDUCTION ARROWS)

- IT IS RECOMMENDED THAT THREE SETS OF ARROWS BE USED ON HIGH SPEED ROADS, SPACED AT FOUR MODULE INTERVALS BEFORE THE END OF THE LANE LINE. SINGLE ARROWS SETS MAY BE USED ON LOWER SPEED ROADS.
- THE BENT ARROWS MAY BE USED IN ADDITION TO THE THREE-ARROW SETS ALONG THE LENGTH OF THE LANE REDUCTION TAPER.

ARROW AREA / (m²)

a	WM6.1/WM6.3	WM6.2
4000	2.08	2.06
5000	2.61	2.58
7500	3.92	3.88
12000	6.58	6.20

<p>CONSTRUCTION RECORD (AS-BUILT) WORKS CONTRACT ENGINEER</p> <p>Name: _____ Prof. Reg. No.: _____ Date: _____</p> <p>SANRAL PROJECT MANAGER</p> <p>Name: _____ Date: _____</p>		<p>SNA CIVIL AND STRUCTURAL ENGINEERS (Pty) LTD</p> <p>SNABVA BUILDING 285 ALBERTUS STREET LA MONTAGNE 0184</p> <p>Tel: 012-842 0000 Fax: 012-803 4429 e-mail: sng@sna.co.za web: www.sna.co.za</p>		<p>TRANS AFRICAN CONCESSIONS (PTY) LTD</p> <p>BLOCK 6 THORNHILL OFFICE PARK 94 BEKKER ROAD MIDRAND</p> <p>PO Box 10817 VICTORIA VALLEY 1686</p> <p>Tel: 011-805 8788 Fax: 011-805 8789 gestehuyesen@tracn4.co.za www.tracn4.co.za</p>		<p>DESIGNED BY</p> <p>Name: G. LOUBSER Prof. Reg. No.: 880359</p> <p>CHECKED BY</p> <p>Name: J.B.W. STOLTZ Prof. Reg. No.: 980512</p> <p>DRAWN BY</p> <p>Name: L.V.D. MERWE</p>		<p>CONSULTANT APPROVAL</p> <p>Name: J.W.B. STOLTZ Prof. Reg. No.: 980512 Date: APRIL 2016</p>		<p>HEAD OFFICE</p> <p>48 Tambotse Avenue Val de Grace Pretoria 0154</p> <p>PO Box 415 Pretoria 0001 South Africa</p> <p>Tel: (012) 844 8000</p>		<p>SANRAL SOUTH AFRICAN NATIONAL ROADS AGENCY (SAC) LTD</p> <p>BUILDING SOUTH AFRICA THROUGH BETTER ROADS</p>		<p>NORTHERN REGION</p> <p>38 Ida Street Menlo Park Pretoria 0081</p> <p>Private Bag X17 Lynnwood Ridge 0040</p> <p>Tel: (012) 426 6200</p>		<p>ACCEPTANCE</p> <p>THIS ACCEPTANCE IS FOR PROCEDURAL AND ADMINISTRATIVE REVIEW PURPOSES ONLY AND DOES NOT ATTRACT LEGAL LIABILITY OR LIABILITY OF ANY KIND FROM WHATSOEVER CAUSE OR HOWEVER ARISING</p> <p>for the SANATIONAL ROADS AGENCY S.C.L.T.D.</p> <p>Date: _____</p>		<p>PROJECT DESCRIPTION</p> <p>MAPUTO DEVELOPMENT CORRIDOR (MDC) PRETORIA TO LEBOMBO BORDER POST ROUTINE ROAD MAINTENANCE</p> <p>DRAWING DESCRIPTION</p> <p>ROAD MARKING DETAILS (Sheet 2 of 2 Sheets)</p>		<p>PROJECT NUMBER</p> <p>TRAC/MAINT-2019-01</p>		<p>DRAWING LOCATION DATA</p> <p>ROUTE</p> <p>SECTION</p> <p>DRAWING km DISTANCE</p> <p>DRAWING TYPE</p> <p>BRIDGE/STRUCTURE No.</p> <p>CONSULTANT DRAWING No.</p>		<p>START</p> <p>PRETORIA</p> <p>ROADS - TYPICAL DETAILS</p> <p>SNA-TP1915-E2</p>		<p>END</p> <p>BORDER</p> <p>VER</p> <p>V1</p>	
<p>No. DATE REVISION</p>		<p>G. LOUBSER CONSULT. ENG.</p>		<p>SCALE: AS SHOWN (A0)</p>		<p>SHEET 2 OF 2</p>		<p>SANRAL DOCUMENT #</p>		<p>VER</p>																	