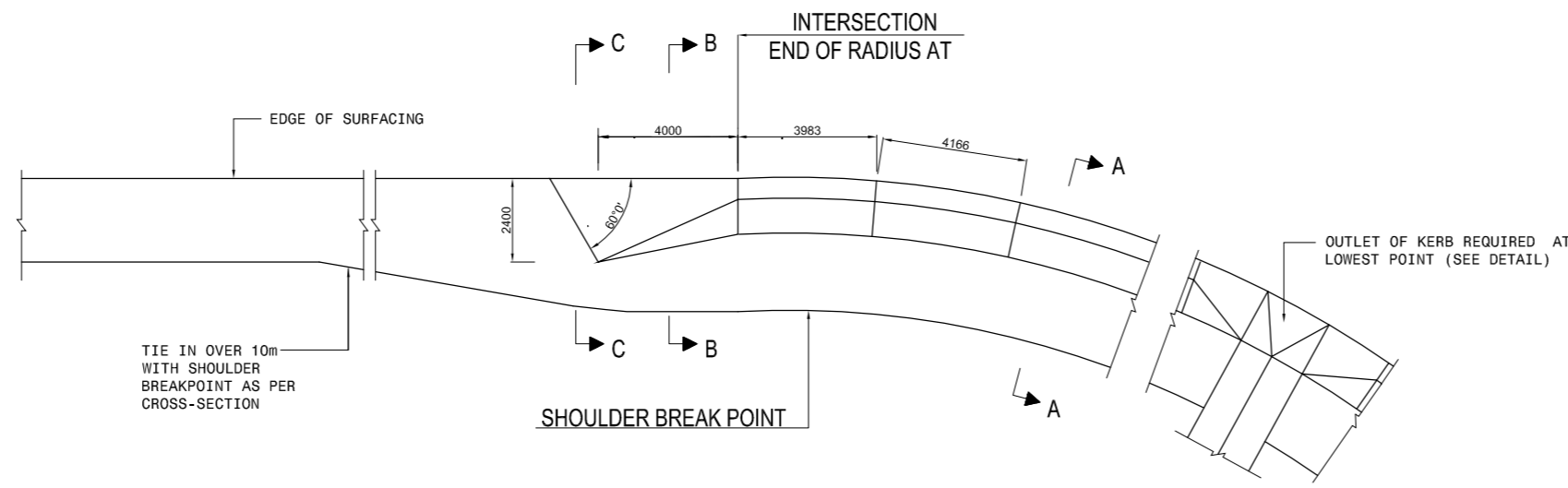
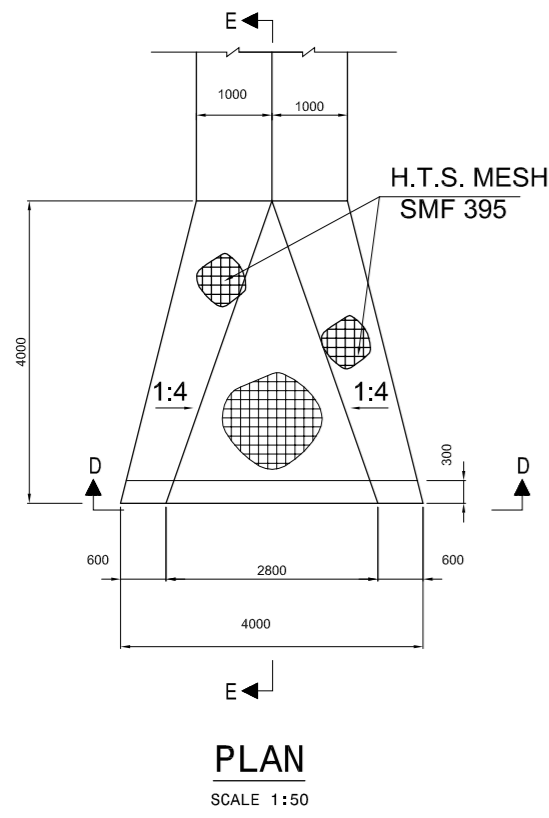
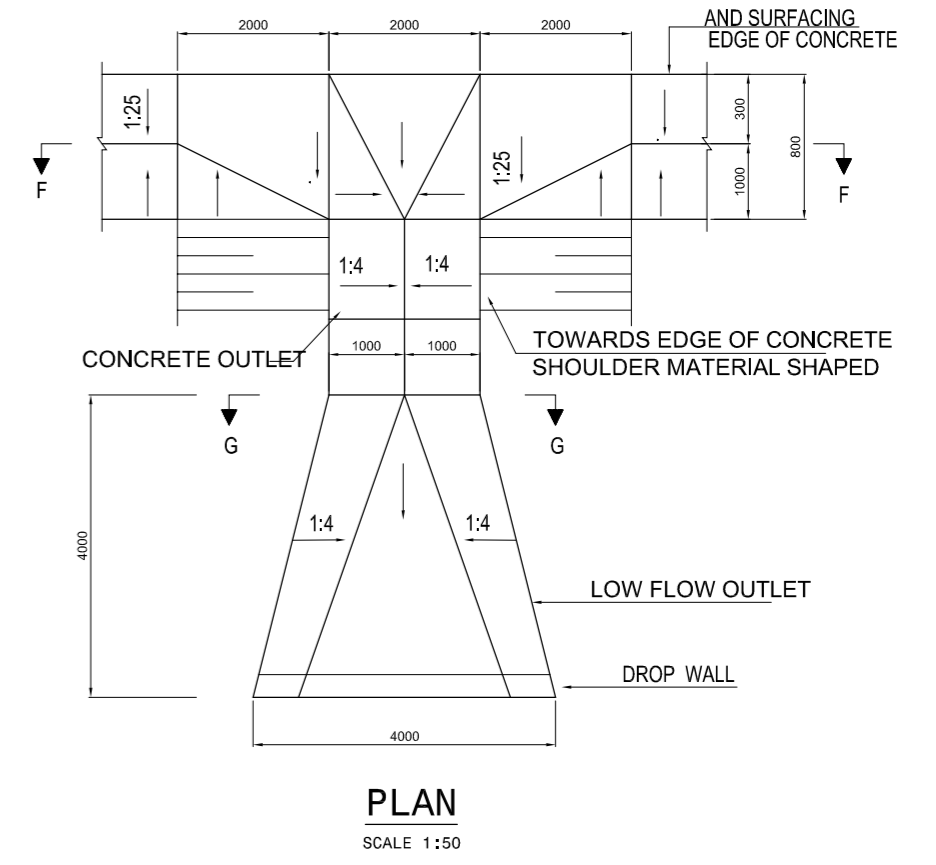


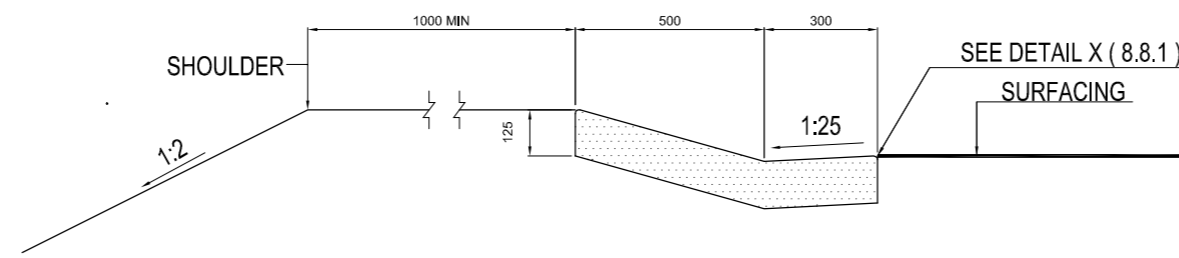
DRAINAGE TYPICALS: TYPE 'C' KERB ON RURAL BELLMOUTHS



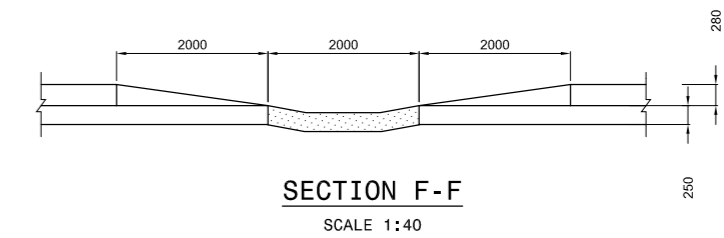
DETAIL OF TYPE 'C' IN SITU MOUNTABLE KERB AT INTERSECTIONS
SCALE 1:100



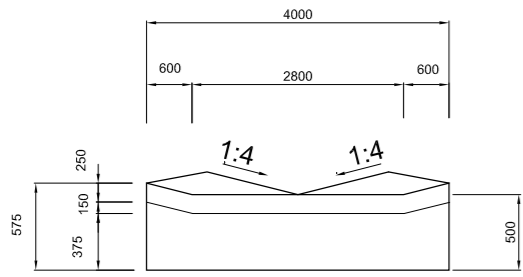
PLAN
SCALE 1:50



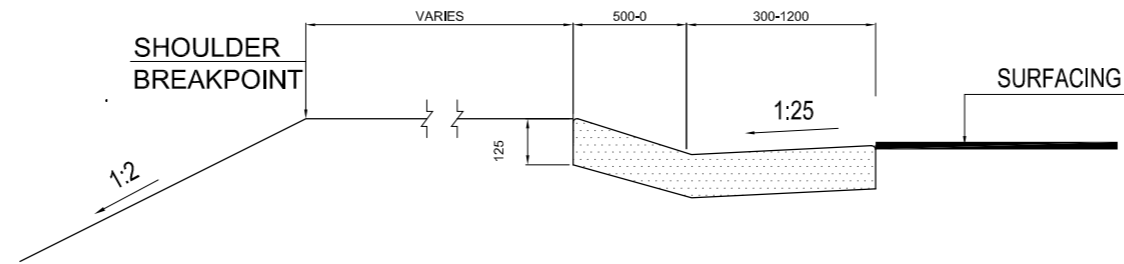
SECTION A-A
SCALE 1:20



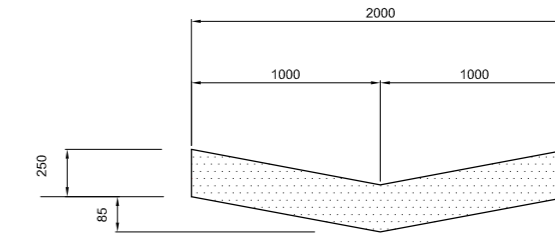
SECTION F-F
SCALE 1:40



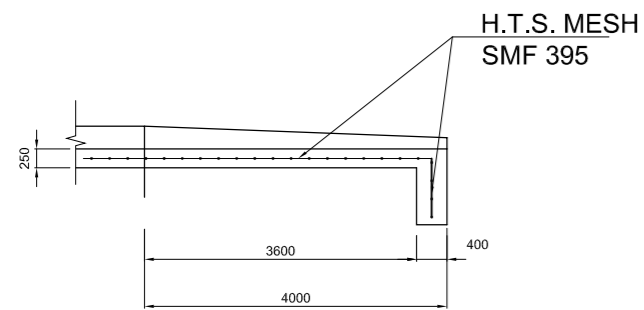
ELEVATION D-D
SCALE 1:50



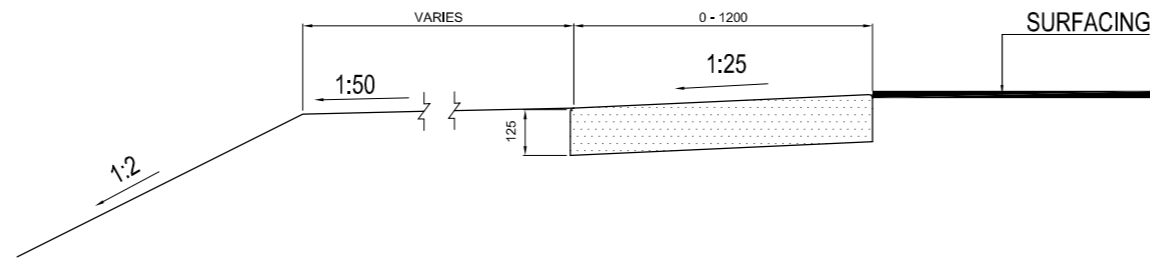
SECTION B-B
SCALE 1:20



SECTION G-G
SCALE 1:20



SECTION E-E
SCALE 1:50



SECTION C-C
SCALE 1:20

CONSTRUCTION RECORD (AS-BUILT) WORKS CONTRACT ENGINEER Name: _____ Prof. Reg. No.: _____ Date: _____ SANRAL PROJECT MANAGER		SNA CIVIL AND STRUCTURAL ENGINEERS (PTY) LTD SNA VIA BUILDING 285 ALBERTUS STREET LA MONTAGNE 0184 P. O. Box 72727 LYNNWOOD RIDGE 0040 Tel: 012-642 0000 Fax: 012-2613 4429 e-mail: sta@sna.co.za web: www.sna.co.za		TRANS AFRICAN CONCESSIONS (PTY) LTD BLOCK 8 THORNHILL OFFICE PARK 94 BEKKER ROAD MIDRAND PO Box 10817 VORUNA VALLEY 1686 Tel: 011-805 8788 Fax: 011-805 8789 gesterhuysen@tracn.co.za www.tracn.co.za		DESIGNED BY NAME: G. LOUBSER Prof. Reg. No.: 980029 CHECKED BY NAME: J.B.W. STOLTZ Prof. Reg. No.: 980512 DRAWN BY NAME: L.V.D. MERWIE		CONSULTANT APPROVAL Name: J.W.B. STOLTZ Prof. Reg. No.: 980512 Date: APRIL 2016		HEAD OFFICE 48 Tambotie Avenue Val de Grace Pretoria 0184 PO Box 415 Pretoria 0001 South Africa Tel: (012) 844 8000		SANRAL SOUTH AFRICAN NATIONAL ROADS AGENCY SOC LTD BUILDING SOUTH AFRICA THROUGH BETTER ROADS		NORTHERN REGION 38 Ida Street Menlo Park Pretoria 0081 Private Bag X17 Lynnwood Ridge 0040 Tel: (012) 426 6200		ACCEPTANCE THIS ACCEPTANCE IS FOR PROCEDURAL AND ADMINISTRATIVE REVIEW PURPOSES ONLY AND DOES NOT ATTRACT LEGAL LIABILITY OR LIABILITY OF ANY KIND FROM WHATSOEVER CAUSE OR HOWEVER ARISING for the SA NATIONAL ROADS AGENCY SOC LTD. Date: _____		PROJECT DESCRIPTION MAPUTO DEVELOPMENT CORRIDOR (MDC) PRETORIA TO LEBOMBO BORDER POST ROUTINE ROAD MAINTENANCE DRAINAGE DESCRIPTION DRAINAGE TYPICALS: TYPE 'C' KERB ON RURAL BELLMOUTHS		PROJECT NUMBER TRAC/MAINT-2019-01 DRAWING LOCATION DATA ROUTE: PRETORIA LEBOMBO BORDER SECTION: PRETORIA LEBOMBO BORDER DRAWING km DISTANCE: _____ DRAWING TYPE: ROADS - TYPICAL DETAILS BRIDGE/STRUCTURE No.: _____ CONSULTANT DRAWING No.: SNA-TP1915-D7 SANRAL DOCUMENT # _____		SCALE: AS SHOWN (A0) SHEET 1 OF 1 VER V1	
---	--	--	--	--	--	--	--	---	--	--	--	---	--	---	--	---	--	--	--	---	--	---	--