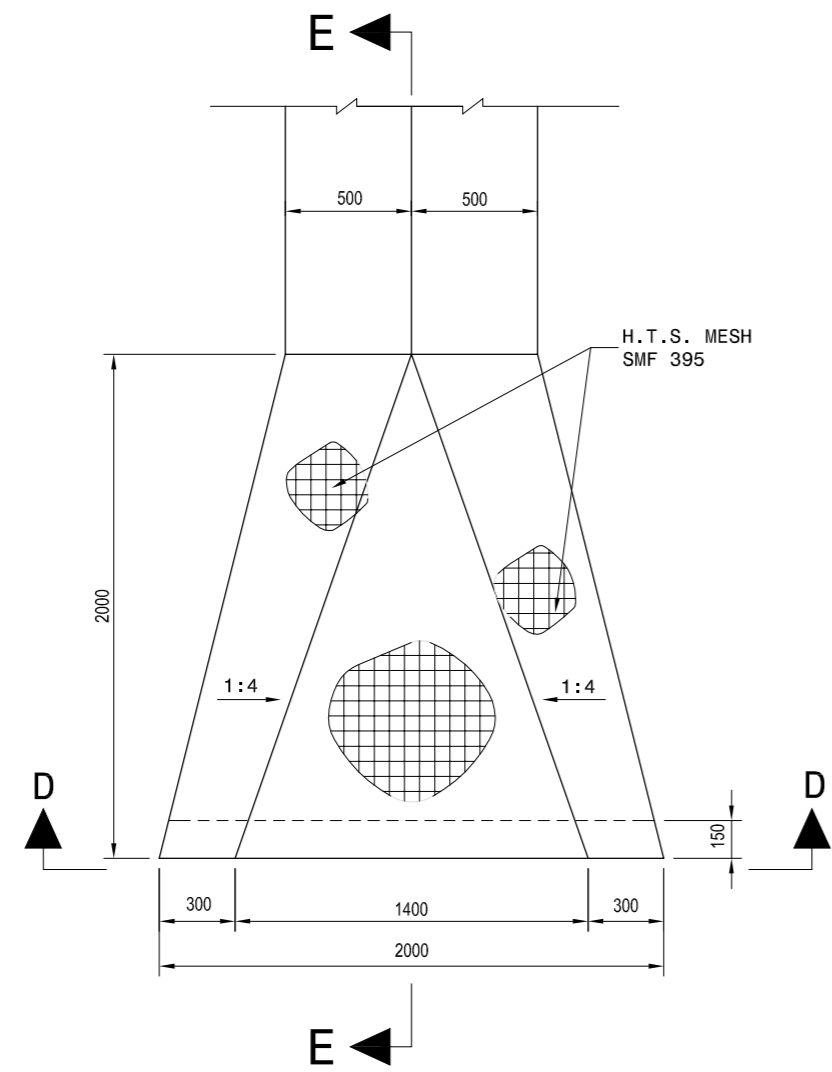
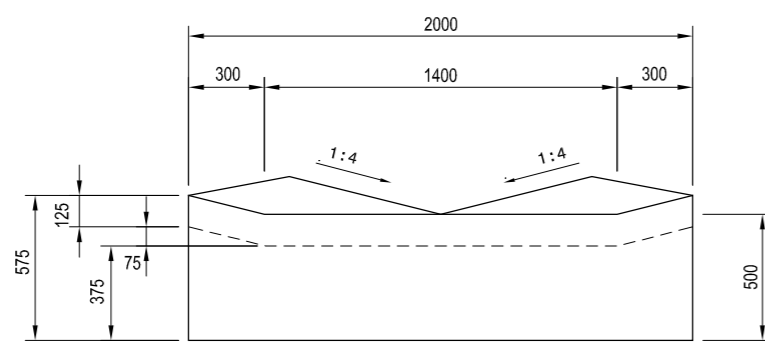


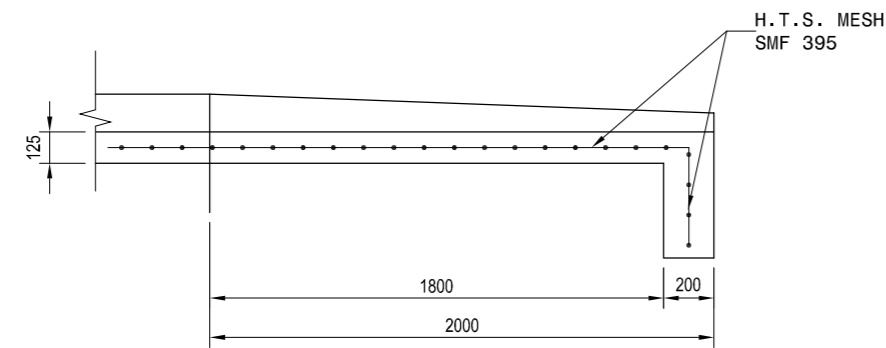
TYPE 'A' SIDE DRAIN CHUTE DETAILS



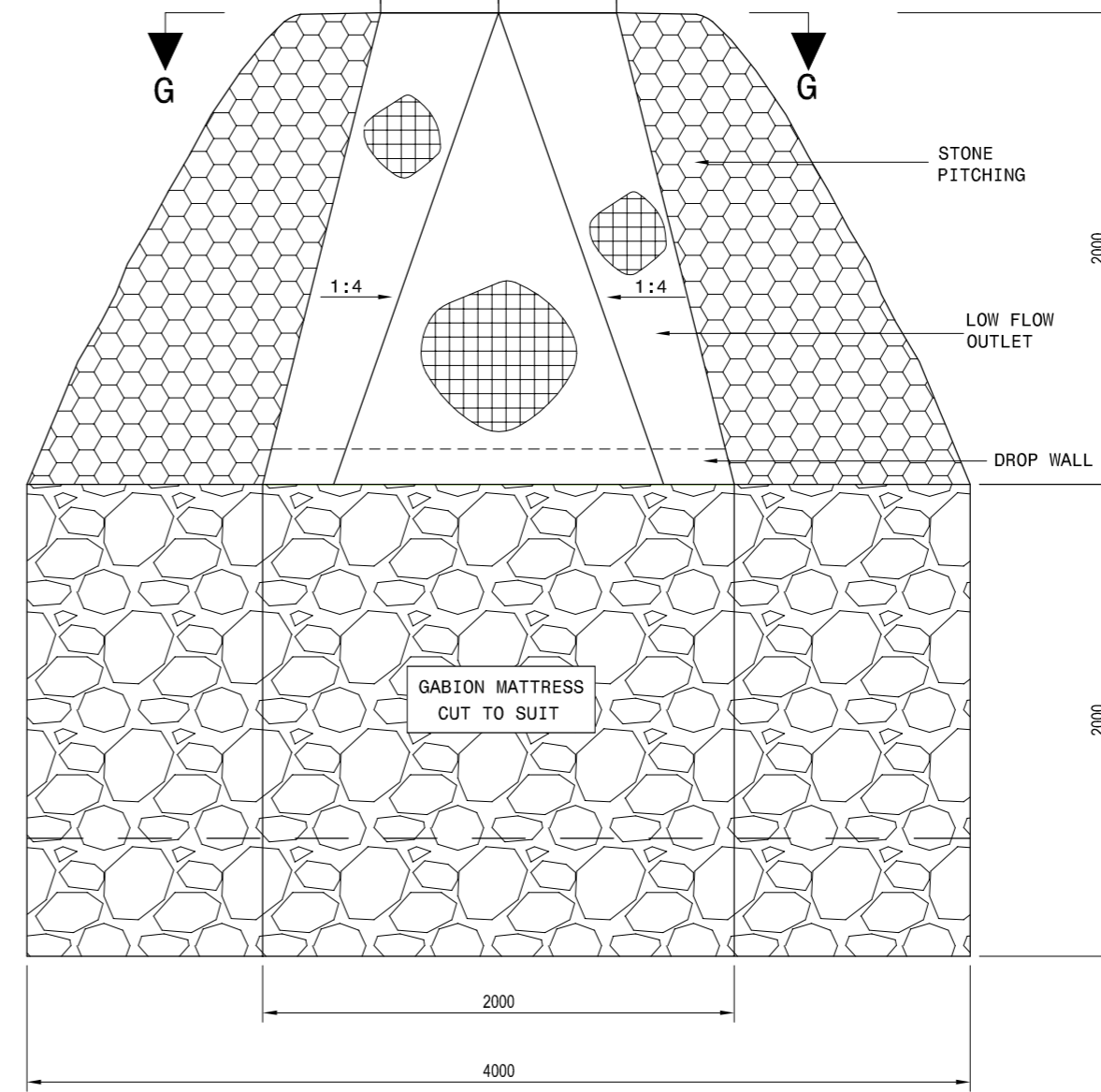
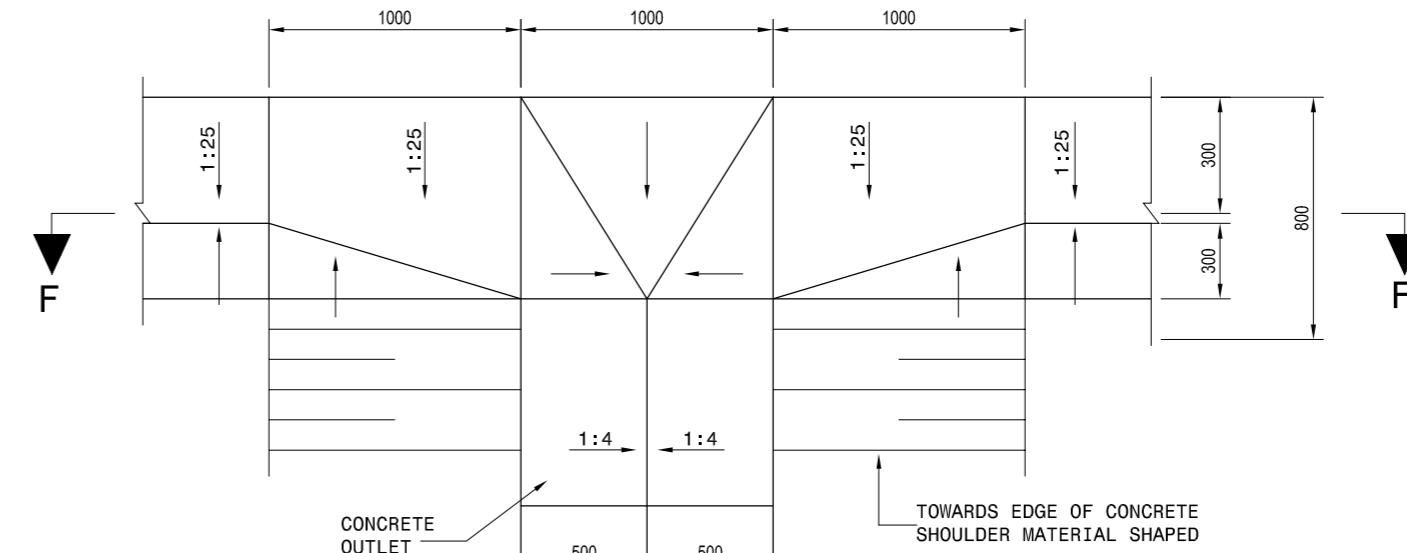
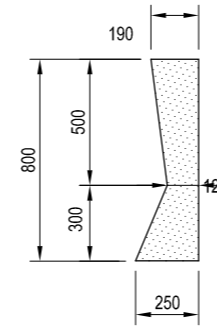
PLAN
SCALE 1:20



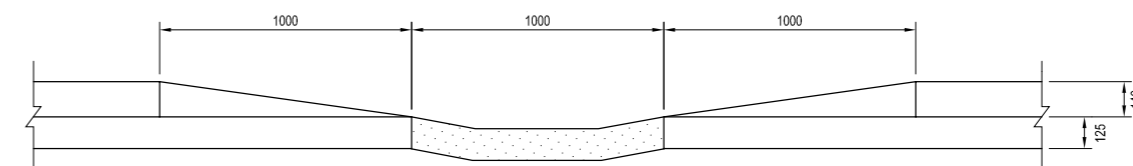
SECTION D-D
SCALE 1:20



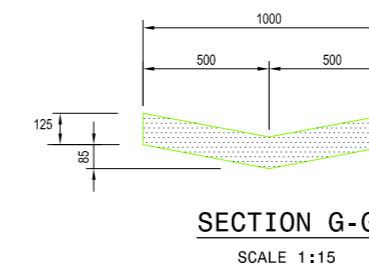
SECTION E-E
SCALE 1:20



PLAN
SCALE 1:15



SECTION F-F
SCALE 1:15



SECTION G-G
SCALE 1:15

NOTES :

1. ALL CONCRETE CHANNELS AND OTHER DRAINAGE STRUCTURES ON THIS PLAN TO BE CAST USING CLASS 30/19 CONCRETE.
2. ALL CONCRETE CHANNELS MUST BE CAST IN ALTERNATIVE LENGTHS OF 2,0m MAXIMUM WITH EXPANSION JOINTS EVERY 5th PANEL (10m - 1078/2/W15).
3. ALL EXPOSED CORNERS MUST BE ROUNDED OFF TO A RADIUS OF 10mm.
4. THE CLASS OF SURFACE FINISH IS INDICATED AS 'F1' OR 'U2'.
5. PROVIDE EROSION PROTECTION IF FLOW VELOCITY AT END OF DRAIN OUTLET > 1.5M/S (REFER TO EROSION CONTROL TYPICAL DRAWING 8.8.3)
6. REFER GENERAL NOTES REGARDING CONCRETE DRAINS ON (1078/2/W15)
7. DETAILS OF EXPANSION JOINTS IN CONCRETE DRAINS AND FINISHING OF SURFACING EDGE NEXT TO CONCRETE DRAINS SHOWN AS 'DETAIL X' ON (1078/2/W15) APPLY TO ALL RELATED TYPICAL DRAWINGS.

CONSTRUCTION RECORD (AS-BUILT) WORKS CONTRACT ENGINEER Name: _____ Prof. Reg. No.: _____ Date: _____ SANRAL PROJECT MANAGER Name: _____ Date: _____		SNA CIVIL AND STRUCTURAL ENGINEERS (Pty) LTD SNAVA BUILDING 285 ALBERTUS STREET LA MONTAGNE 0184 P. O. Box 72727 LYNNWOOD RIDGE 0040 Tel: 012-442 0000 Fax: 012-403 4429 e-mail: pla@sna.co.za web: www.sna.co.za		TRANS AFRICAN CONCESSIONS (PTY) LTD BLOCK 8 THORNHILL OFFICE PARK 94 BEKKER ROAD MIDRAND PO Box 10817 VORWA VALLEY 1698 Tel: 011-855 8788 Fax: 011-855 8789 gesterhuyzen@transa.co.za www.transa.co.za		DESIGNED BY NAME: G. LOUBSER Prof. Reg. No.: 860369 CHECKED BY NAME: J.B.W. STOLTZ Prof. Reg. No.: 960512 DRAWN BY NAME: L.V.D. MERWIE		CONSULTANT APPROVAL Name: J.W.B. STOLTZ Prof. Reg. No.: 960512 Date: APRIL 2016		HEAD OFFICE 48 Tambolle Avenue Val de Grace Pretoria 0184 PO Box 415 Pretoria 0001 South Africa Tel: (012) 844 8000		SANRAL SOUTH AFRICAN NATIONAL ROADS AGENCY SOCIETY LTD BUILDING SOUTH AFRICA THROUGH BETTER ROADS		NORTHERN REGION 38 Ida Street Menlo Park Pretoria 0081 Private Bag X17 Lynnwood Ridge 0040 Tel: (012) 426 6200		ACCEPTANCE THIS ACCEPTANCE IS FOR PROCEDURAL AND ADMINISTRATIVE REVIEW PURPOSES ONLY AND DOES NOT ATTRACT LEGAL LIABILITY OR LIABILITY OF ANY KIND FROM WHATSOEVER CAUSE OR HOWEVER ARISING for the SA NATIONAL ROADS AGENCY SOC. LTD. Date: _____		PROJECT DESCRIPTION MAPUTO DEVELOPMENT CORRIDOR (MDC) PRETORIA TO LEBOMBO BORDER POST ROUTINE ROAD MAINTENANCE DRAWING DESCRIPTION TYPE 'A' SIDE DRAIN CHUTE DETAILS		PROJECT NUMBER TRAC/MAINT-2019-01 DRAWING LOCATION DATA ROUTE SECTION DRAWING km DISTANCE BRIDGE/STRUCTURE No. CONSULTANT DRAWING No. SANRAL DOCUMENT #		TRAC/MAINT-2019-01 START END PRETORIA LEBOMBO BORDER ROADS - TYPICAL DETAILS SNA-TP1915-D4 VER V1	
No. 07-2019 ORIGINAL VERSION No. 07-2019 REVISION G. LOUBSER CONSULT. ENG.		P. O. Box 72727 LYNNWOOD RIDGE 0040		PO Box 10817 VORWA VALLEY 1698		NAME: G. LOUBSER Prof. Reg. No.: 860369 CHECKED BY: J.B.W. STOLTZ Prof. Reg. No.: 960512 DRAWN BY: L.V.D. MERWIE		Name: J.W.B. STOLTZ Prof. Reg. No.: 960512 Date: APRIL 2016		48 Tambolle Avenue Val de Grace Pretoria 0184 PO Box 415 Pretoria 0001 South Africa Tel: (012) 844 8000		SANRAL SOUTH AFRICAN NATIONAL ROADS AGENCY SOCIETY LTD BUILDING SOUTH AFRICA THROUGH BETTER ROADS		38 Ida Street Menlo Park Pretoria 0081 Private Bag X17 Lynnwood Ridge 0040 Tel: (012) 426 6200		THIS ACCEPTANCE IS FOR PROCEDURAL AND ADMINISTRATIVE REVIEW PURPOSES ONLY AND DOES NOT ATTRACT LEGAL LIABILITY OR LIABILITY OF ANY KIND FROM WHATSOEVER CAUSE OR HOWEVER ARISING for the SA NATIONAL ROADS AGENCY SOC. LTD. Date: _____		PROJECT DESCRIPTION MAPUTO DEVELOPMENT CORRIDOR (MDC) PRETORIA TO LEBOMBO BORDER POST ROUTINE ROAD MAINTENANCE DRAWING DESCRIPTION TYPE 'A' SIDE DRAIN CHUTE DETAILS		PROJECT NUMBER TRAC/MAINT-2019-01 DRAWING LOCATION DATA ROUTE SECTION DRAWING km DISTANCE BRIDGE/STRUCTURE No. CONSULTANT DRAWING No. SANRAL DOCUMENT #		TRAC/MAINT-2019-01 START END PRETORIA LEBOMBO BORDER ROADS - TYPICAL DETAILS SNA-TP1915-D4 VER V1	