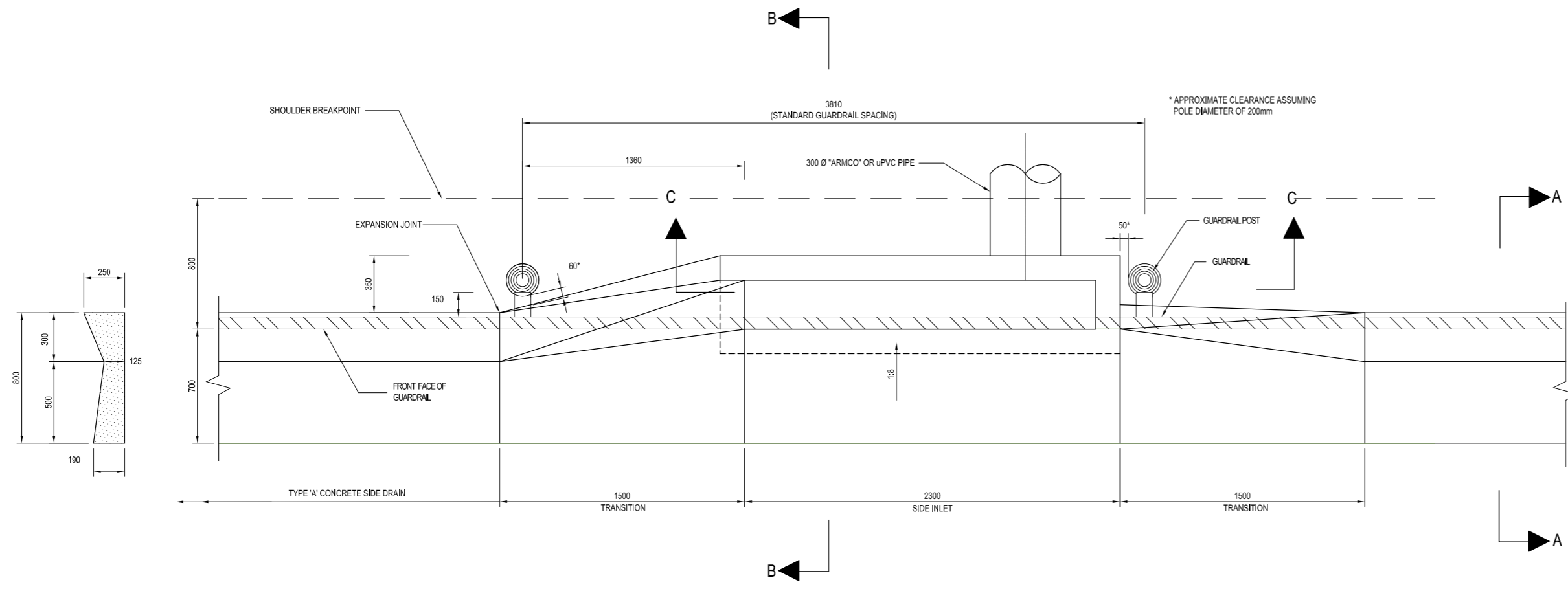
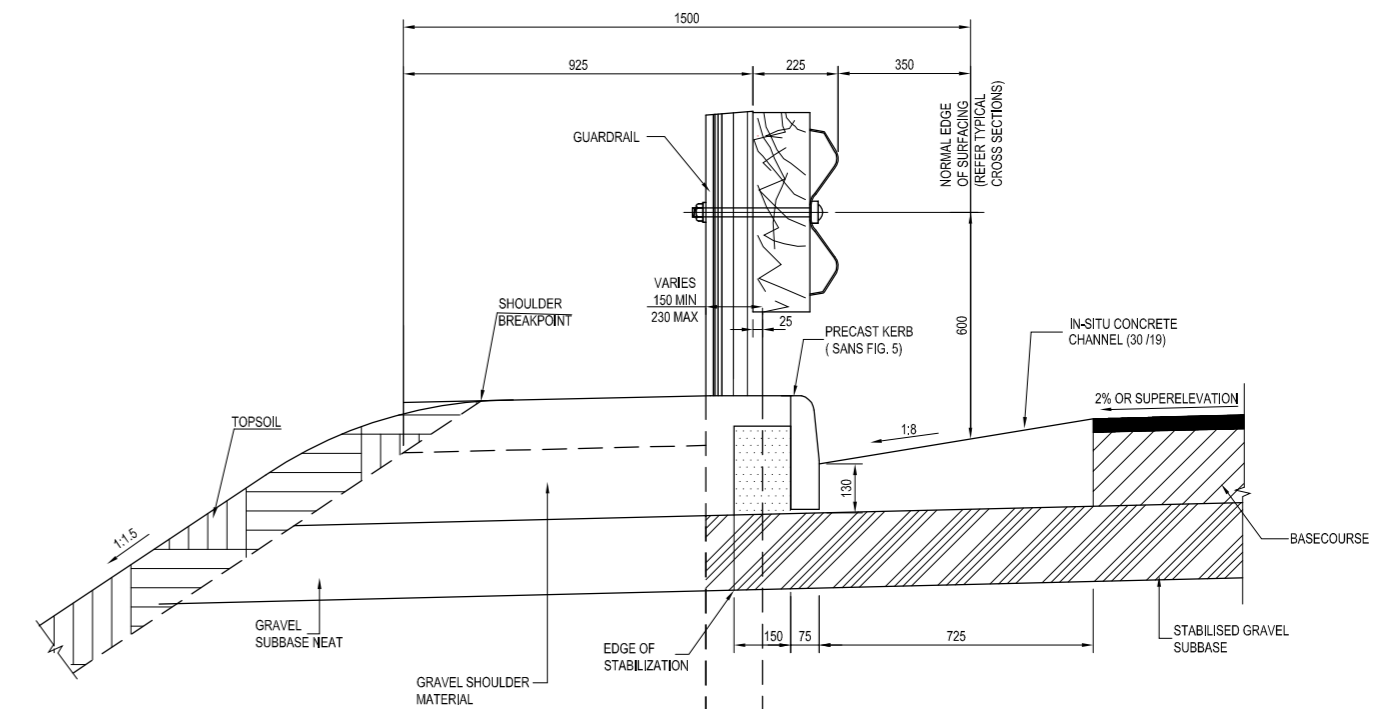


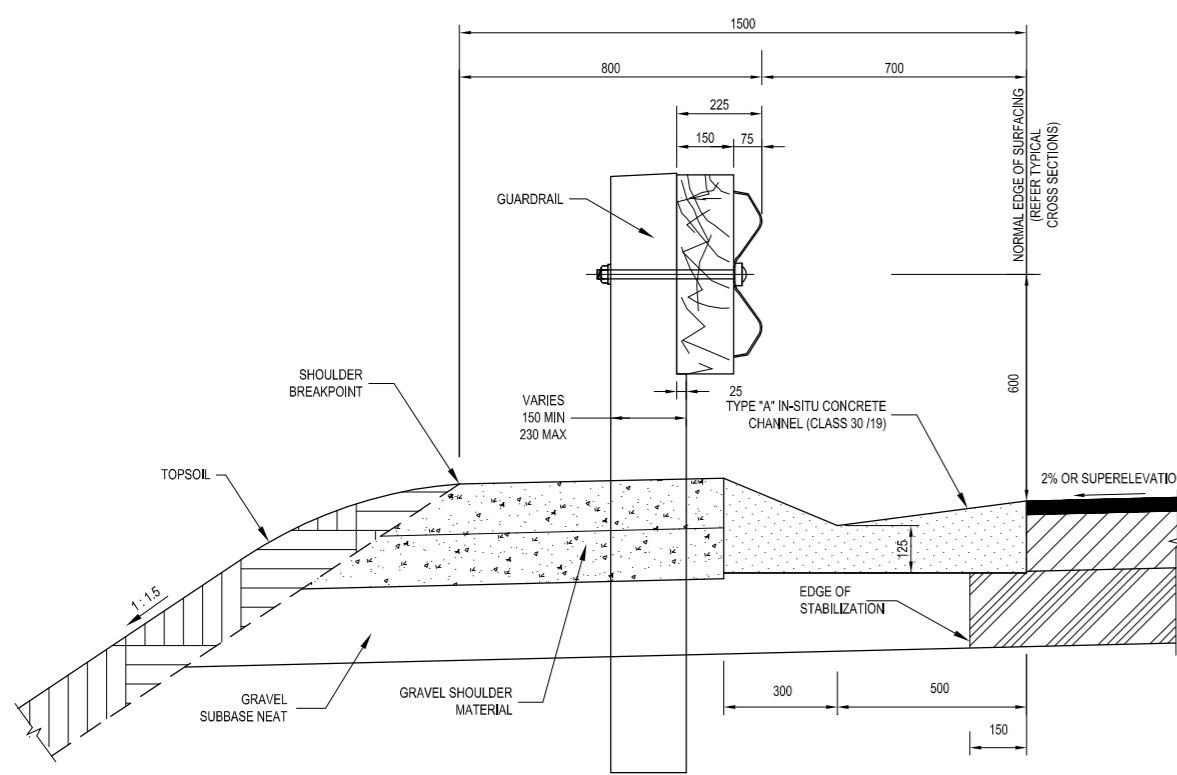
# SIDE INLET ON HIGH FILLS



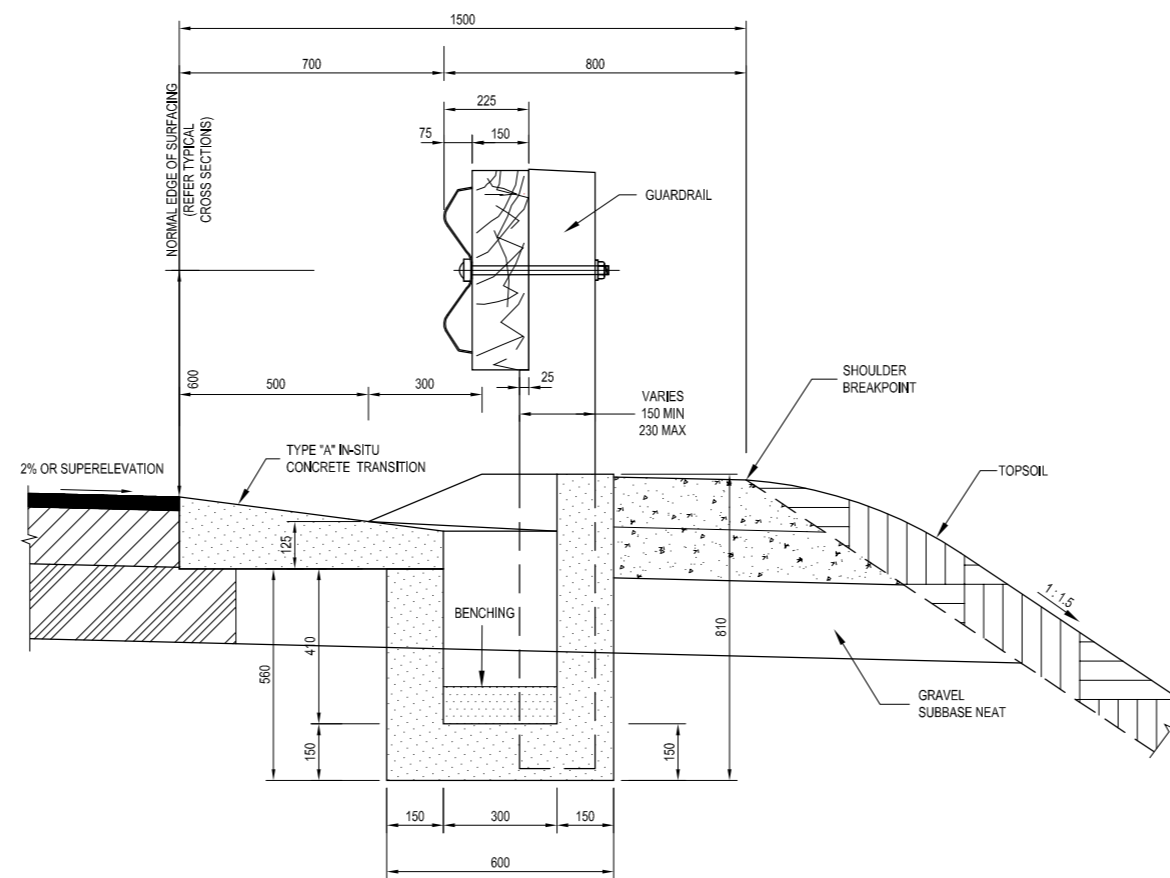
PLAN OF TRANSITION AND SIDE INLET  
FOR TYPE "A" SIDE DRAIN  
SCALE 1:15



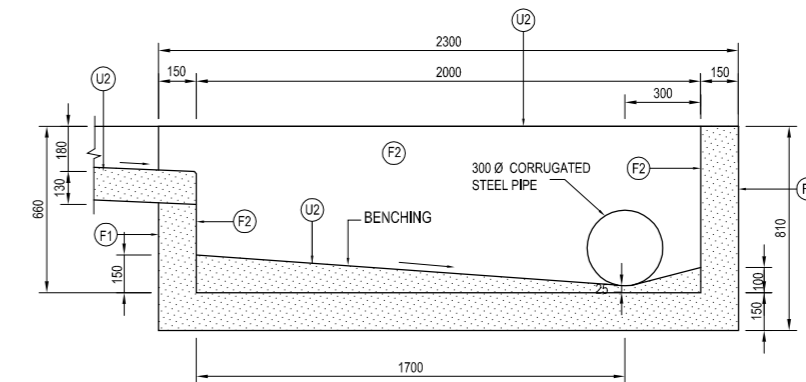
POSITION OF ALTERNATIVE TYPE 'B'  
NON MOUNTABLE KERB (FIG.5)  
SCALE 1:10



SECTION A-A  
SCALE 1:10



SECTION B-B  
SCALE 1:10



SECTION C-C  
SCALE 1:10

SECTION THROUGH SIDE INLET  
REINFORCEMENT  
SCALE 1:10

- NOTES:**
- MATERIAL:
    - REINFORCEMENT: SABS 920, LATEST REVISION.
    - CONCRETE: (CAST IN SITU)
      - SIDE DRAINS AND TRANSITIONS - CLASS 30/19.
      - SIDE INLETS AND MANHOLES - CLASS 30/19.
      - ENERGY BREAKERS - CLASS 30/19.
      - ANCHOR BLOCKS - CLASS 30/19.
      - BENCHING - CLASS 15/19.
  - THE TYPE OF SURFACE FINISH IS INDICATED AS F1, F2 & U2.
    - F - FORMED SURFACES.
    - U - UNFORMED SURFACES.
  - MINIMUM CONCRETE COVER TO MAIN REINFORCEMENT IS 50mm.
  - ALL EXPOSED CORNERS MUST BE ROUNDED OFF TO A MINIMUM

CONSTRUCTION RECORD (AS-BUILT) WORKS CONTRACT ENGINEER Name: _____ Prof. Reg. No.: _____ Date: _____ SANRAL PROJECT MANAGER		SNA CIVIL AND STRUCTURAL ENGINEERS (Pty) LTD 285 ALBERTUS STREET LA MONTAGNE 0184 P. O. Box 72727 LYNNWOOD RIDGE 0040 Tel: 012-842 0000 Fax: 012-803 4429 e-mail: pms@sna.co.za web: www.sna.co.za		TRANS AFRICAN CONCESSIONS (PTY) LTD BLOCK 8 THORNHILL OFFICE PARK 94 BEKKER ROAD MIDRAND PO Box 10817 VORNA VALLEY 1656 Tel: 011-805 8788 Fax: 011-805 8789 gesh@trac.co.za www.trac.co.za		DESIGNED BY NAME: G. LOUBSER Prof. Reg. No.: 880359 CHECKED BY NAME: J.W.B. STOLTZ Prof. Reg. No.: 980512 DRAWN BY NAME: L.V.D. MERWE		CONSULTANT APPROVAL Name: J.W.B. STOLTZ Prof. Reg. No.: 980512 Date: APRIL 2016		HEAD OFFICE 48 Tambotse Avenue Val de Grace Pretoria 0184 PO Box 415 Pretoria 0001 South Africa Tel: (012) 844 8000		SANRAL BUILDING SOUTH AFRICA THROUGH BETTER ROADS		NORTHERN REGION 38 Ida Street Menlo Park Pretoria 0081 Private Bag X17 Lynnwood Ridge 0040 Tel: (012) 426 6200		ACCEPTANCE THIS ACCEPTANCE IS FOR PROCEDURAL AND ADMINISTRATIVE REVIEW PURPOSES ONLY AND DOES NOT ATTRACT LEGAL LIABILITY OR LIABILITY OF ANY KIND FROM WHATSOEVER CAUSE OR HOWEVER ARISING for the SA NATIONAL ROADS AGENCY SOC LTD. Date: _____		PROJECT DESCRIPTION MAPUTO DEVELOPMENT CORRIDOR (MDC) PRETORIA TO LEBOMBO BORDER POST ROUTINE ROAD MAINTENANCE DRAWING DESCRIPTION SIDE INLET ON HIGH FILLS		PROJECT NUMBER TRAC/MAINT-2019-01 DRAWING LOCATION DATA ROUTE SECTION DRAWING km DISTANCE DRAWING TYPE BRIDGE/STRUCTURE No. CONSULTANT DRAWING No. SANRAL DOCUMENT #		START END PRETORIA LEBOMBO BORDER ROADS - TYPICAL DETAILS SNA-TP1915-03 VER V1	
No. DATE ORIGINAL VERSION REVISION G. LOUBSER CONSULT. ENG.		No. DATE ORIGINAL VERSION REVISION		No. DATE ORIGINAL VERSION REVISION		No. DATE ORIGINAL VERSION REVISION		No. DATE ORIGINAL VERSION REVISION		No. DATE ORIGINAL VERSION REVISION		No. DATE ORIGINAL VERSION REVISION		No. DATE ORIGINAL VERSION REVISION		No. DATE ORIGINAL VERSION REVISION							