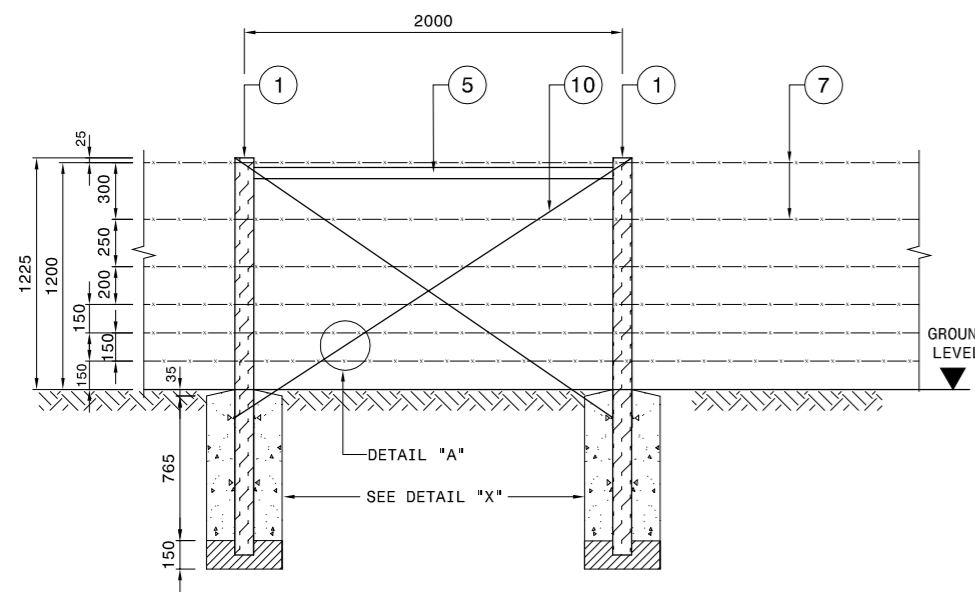
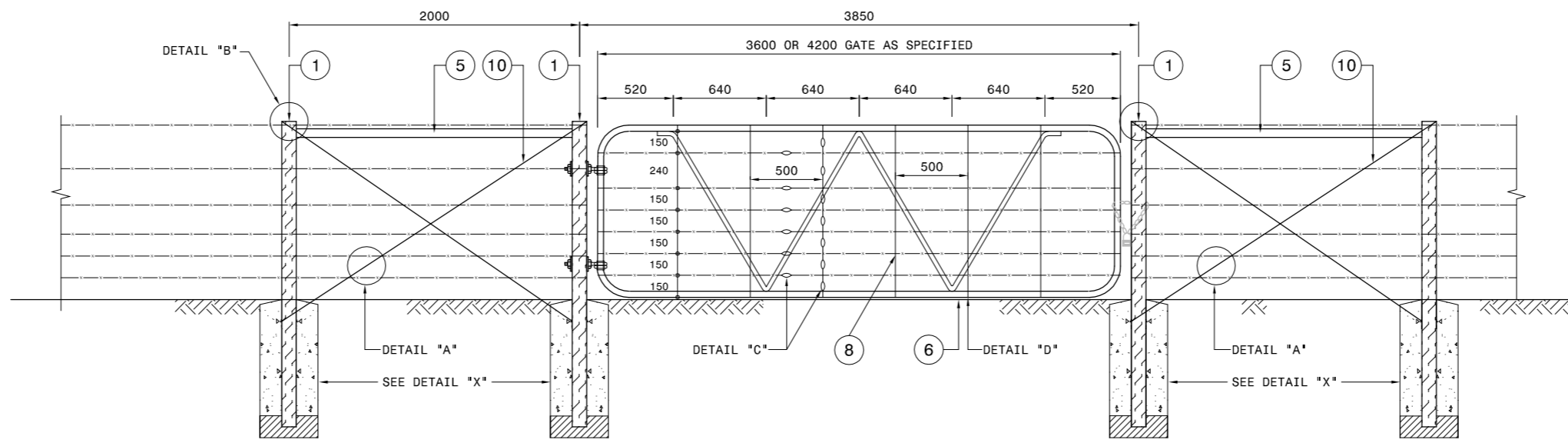


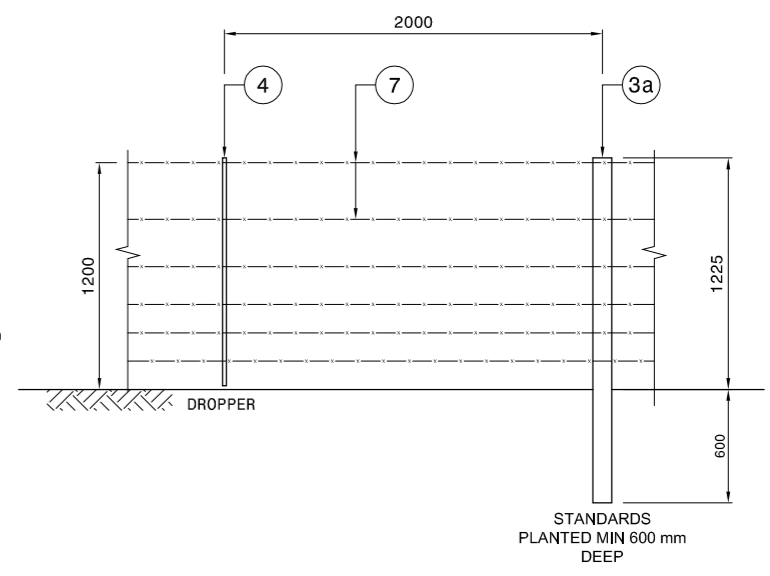
STOCK PROOF FENCING : 6 STRANDS ON TIMBER POSTS AND DETAILS OF CABLE FENCING



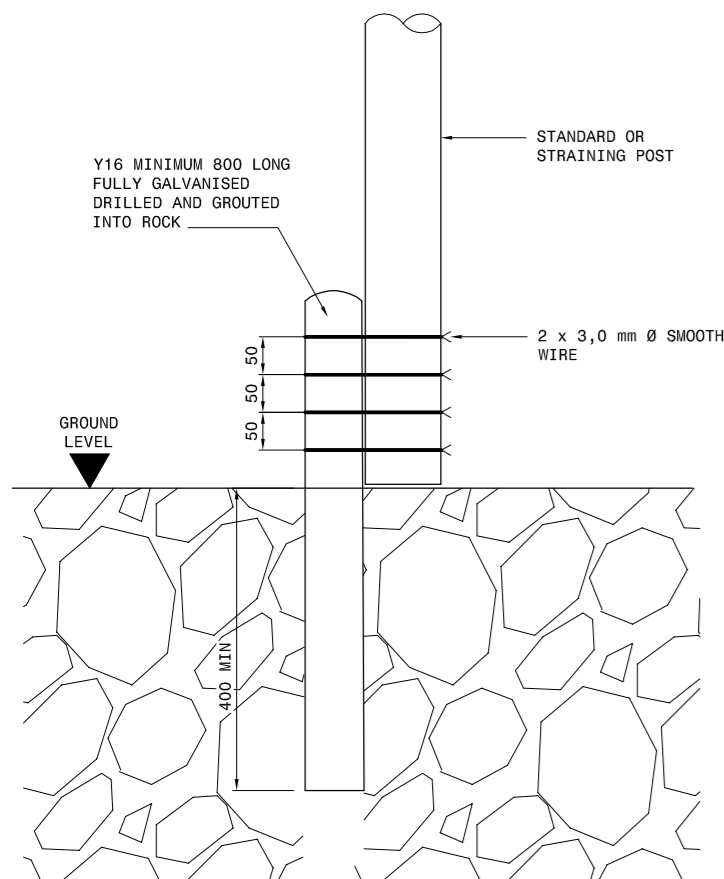
STRAINING POST DETAIL
SCALE 1:20



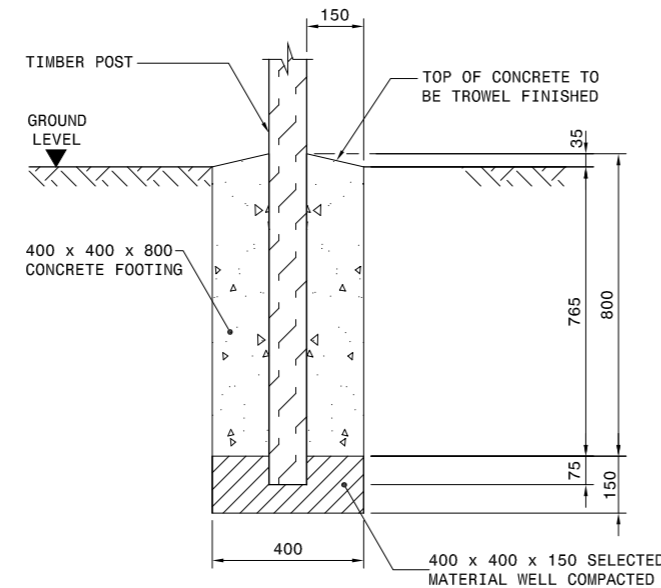
FENCE DETAIL AT GATE
SCALE 1:20



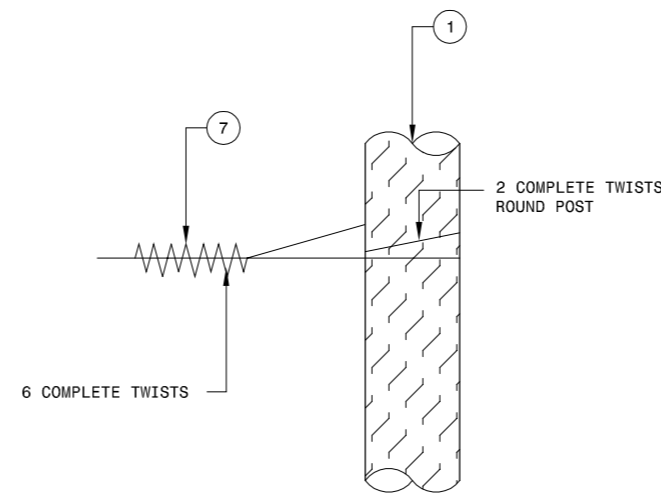
STANDARDS AND DROPPERS
SCALE 1:20



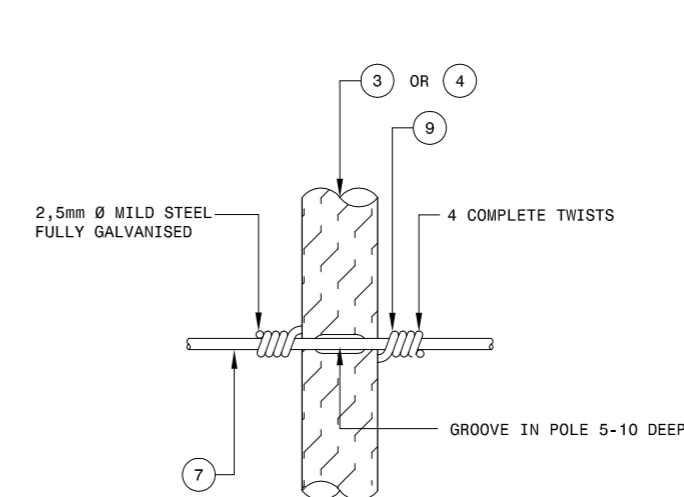
DETAIL IN ROCK CONDITIONS
SCALE 1 : 5



**DETAILS OF POST FOOTINGS
DETAIL "X" 400 x 400 x 600**
SCALE 1 : 10



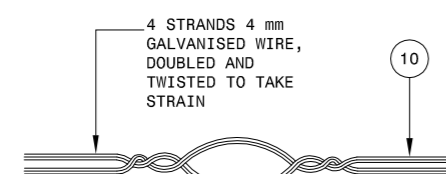
STRAINING POSTS



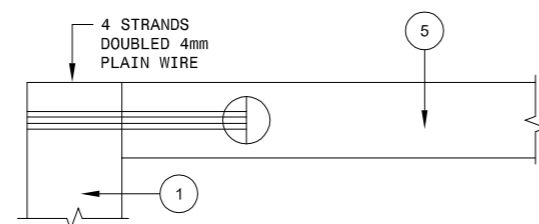
STANDARDS AND DROPPERS

**FASTENING OF BARBED WIRE TO DROPPERS,
STANDARDS AND POSTS**

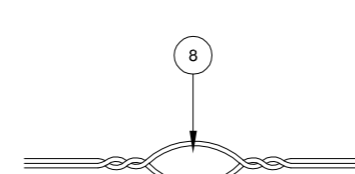
SCALE 1 : 5



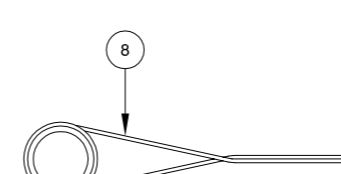
DETAIL A
N.T.S.



DETAIL B
SCALE 1 : 5



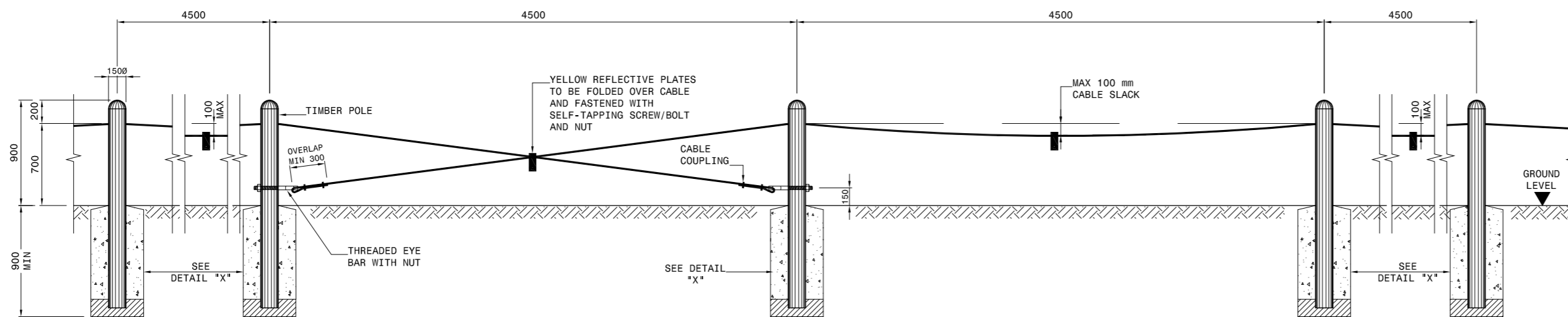
DETAIL C
N.T.S.



DETAIL D
N.T.S.

**FENCING IN RELATION TO ROAD AND REPAIR OF
EXISTING FENCE IF CUT BY ROAD RESERVE**

SCALE 1 : 100



DETAIL OF CABLE FENCE
SCALE 1:20

- ITEM:**
- ① STRAINING POSTS:
2100 X 125mm Ø, NOTCHED AND ANCHORED IN CONCRETE COMPLYING WITH CKS 82
 - ② ALL TIMBER POSTS, STANDARDS AND DROPPERS SHALL BE TREATED WITH COPPER CHROME ARSENIC (CCA) AND PAINTED YELLOW
 - ③ STANDARDS:
a) 1 800 x (60-70 mm) Ø TIMBER POLE TO BE PAINTED YELLOW
 - ④ DROPPERS:
1200 X (30-50 mm) Ø TIMBER POLE TO BE PAINTED YELLOW
 - ⑤ CROSS BRACE SUPPORT: 100 mm Ø.
 - ⑥ GOVERNMENT PATTERN FARM GATE:
MANUFACTURED FROM 42.9 Ø x 2.6mm STEEL TUBING WITH HINGES, WASHERS, BOLTS AND LOCKING CHAIN ATTACHED TO GATE (COMPLYING WITH CKS 146). ALL FULLY GALVANIZED (SANS 121/ISO 1461).
 - ⑦ BARBED WIRE:
3,2 x 2,5 mm OVAL HIGH TENSILE GRADE SINGLE STRAND (SANS 675), FULLY GALVANIZED AND DIPPED IN YELLOW ENAMEL PAINT BEFORE ERECTION.
 - ⑧ SMOOTH WIRE:
3,0 mm Ø HIGH TENSILE GRADE (SANS 675) FULLY GALVANIZED AND DIPPED IN YELLOW ENAMEL PAINT BEFORE ERECTION.
 - ⑨ TYING WIRE:
2,5 mm Ø MILD STEEL (SANS 675), FULLY GALVANIZED FOR TYING TO STANDARDS AND DROPPERS.
 - ⑩ STRAINING WIRE:
4 mm Ø MILD STEEL (SANS 675), FULLY GALVANIZED. (4 STRANDS, DOUBLED AND TWISTED TO TAKE STRAIN).
 - ⑪ BOLTS FOR STAYS:
NONE.
 - ⑫ MAXIMUM SPACING OF:
STRAINING POSTS 90 m c/c
STANDARDS 15 m c/c
DROPPERS 3 m c/c
 - ⑬ ALL WIRES TO BE ERECTED ON THE OUTSIDE OF THE ROAD RESERVE BOUNDARY UNLESS OTHERWISE INSTRUCTED BY THE ENGINEER
 - ⑭ MINIMUM CONCRETE STRENGTH OF FOOTINGS 20 MPa AT 28 DAYS.
 - ⑮ ALL WIRE TO DIPPED IN YELLOW ENAMEL PAINT BEFORE CONSTRUCTION

CONSTRUCTION RECORD (AS BUILT) WORKS CONTRACT ENGINEER Name: G. LOUBSER Prof. Reg. No.: 880359 Date: JULY 2019		TRANSAFRIC CONCESSIONS (PTY) LTD BLOCK 6 THORNHILL OFFICE PARK 94 BEKKER ROAD MIDRAND PO Box 10817 VORNA VALLEY 1686 Tel.: 011-805 8788 Fax: 011-805 8789 gesterhysen@trac4.co.za www.trac4.co.za		DESIGNED BY Name: G. LOUBSER Prof. Reg. No.: 880359 CHECKED BY Name: J.B.W. STOLTZ Prof. Reg. No.: 980512 DRAWN BY Name: L.V.D. MERWE		CONSULTANT APPROVAL Name: J.B.W. STOLTZ Prof. Reg. No.: 980512 Date: JULY 2019		HEAD OFFICE 48 Tambotie Avenue Val de Grace Pretoria 0184 PO Box 415 Pretoria 0001 South Africa Tel: (012) 844 8000		NORTHERN REGION 38 Ida Street Menlo Park Pretoria 0081 Private Bag X17 Lynnwood Ridge 0040 Tel: (012) 426 6200		ACCEPTANCE THIS ACCEPTANCE IS FOR PROCEDURAL AND ADMINISTRATIVE REVIEW PURPOSES ONLY AND DOES NOT ATTRACT LEGAL LIABILITY OR LIABILITY OF ANY KIND FROM WHATSOEVER CAUSE OR HOWSOEVER ARISING for the SA NATIONAL ROADS AGENCY SOC. LTD. Date:		PROJECT DESCRIPTION MAPUTO DEVELOPMENT CORRIDOR (MDC) PRETORIA TO LEBOMBO BORDER POST ROUTINE ROAD MAINTENANCE DRAWING DESCRIPTION STOCK PROOF FENCING: 6 STRANDS ON TIMBER POSTS AND DETAILS OF CABLE FENCING SCALE: AS SHOWN (A0)		PROJECT NUMBER TRAC/MAINT-2019-01 DRAWING LOCATION DATA ROUTE SECTION PRETORIA LEBOMBO DRAWING DISTANCE ROADS - TYPICAL DETAILS BRIDGE/STRUCTURE No. CONSULTANT DRAWING No. SANRAL DOCUMENT #		SHEET 1 OF 1 VER V1	
--	--	--	--	--	--	---	--	--	--	---	--	---	--	---	--	---	--	------------------------	--